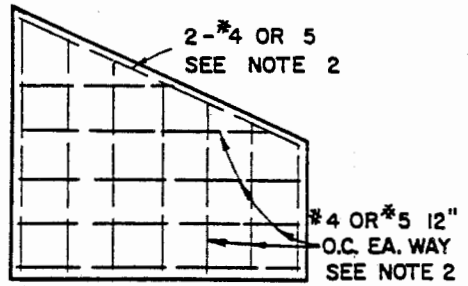
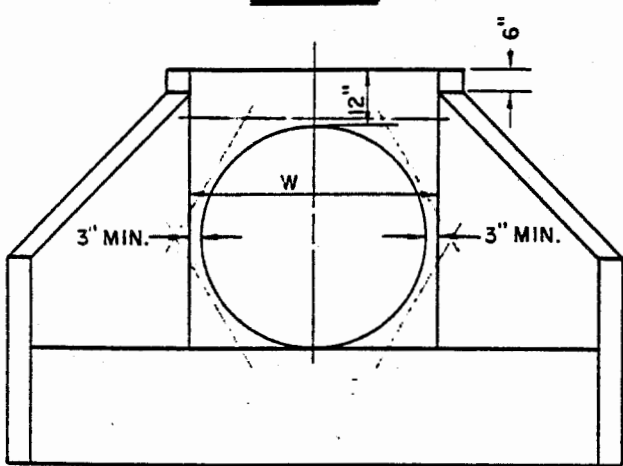


PLAN

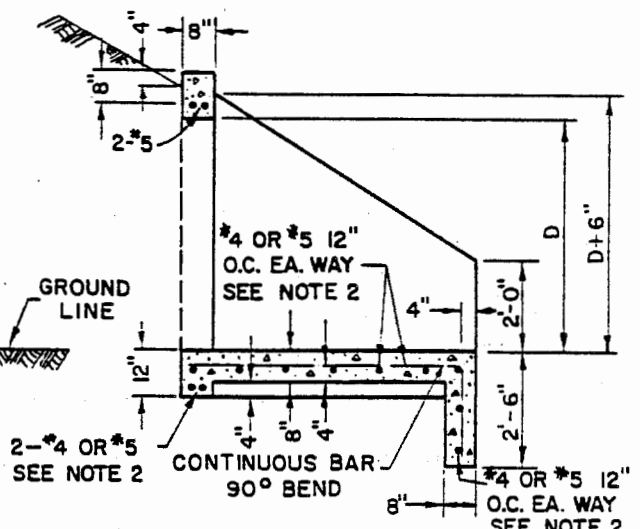
HEADWALL SHALL BE MONOLITHIC.
LAP ALL BARS AT CORNERS 30 DIAMETERS
IF NOT CONTINUOUS.



REINFORCING DETAIL



ELEVATION



SECTION A-A

DIMENSIONS				
PIPE DIAM.	L	E	F	W
24"	4'-9"	2'-8"	4'-0"	2'-6"
30"	5'-5"	3'-0"	4'-6"	3'-0"
36"	6'-0"	3'-4"	5'-0"	3'-8"
42"	6'-7"	3'-8"	5'-6"	4'-2"
48"	7'-3"	4'-0"	6'-0"	4'-10"
54"	8'-2"	4'-6"	6'-9"	5'-4"

NOTES:

1. HEADWALL SHALL BE CONSTRUCTED OF CLASS A CONCRETE.
2. REINFORCING STEEL SHALL BE NO. 4 BARS FOR "W" UP TO 60". ABOVE "W"=60" NO. 5 BARS SHALL BE USED. 2" MIN CLEARANCE, 30 DIAMETER LAP, ALL STEEL.
3. ADJACENT SLOPES SHALL BE 1 1/2 TO 1 OR FLATTER.
4. MULTIPLE PIPES TO BE SET WITH LONGITUDINAL CENTERS 1 2/3 DIAMETERS APART.
5. ALL EXPOSED CORNERS TO BE ROUNDED 3/4" RADIUS.
6. W SHALL BE INCREASED WHEN MULTIPLE PIPES OR PIPES ON SKEW ARE USED.