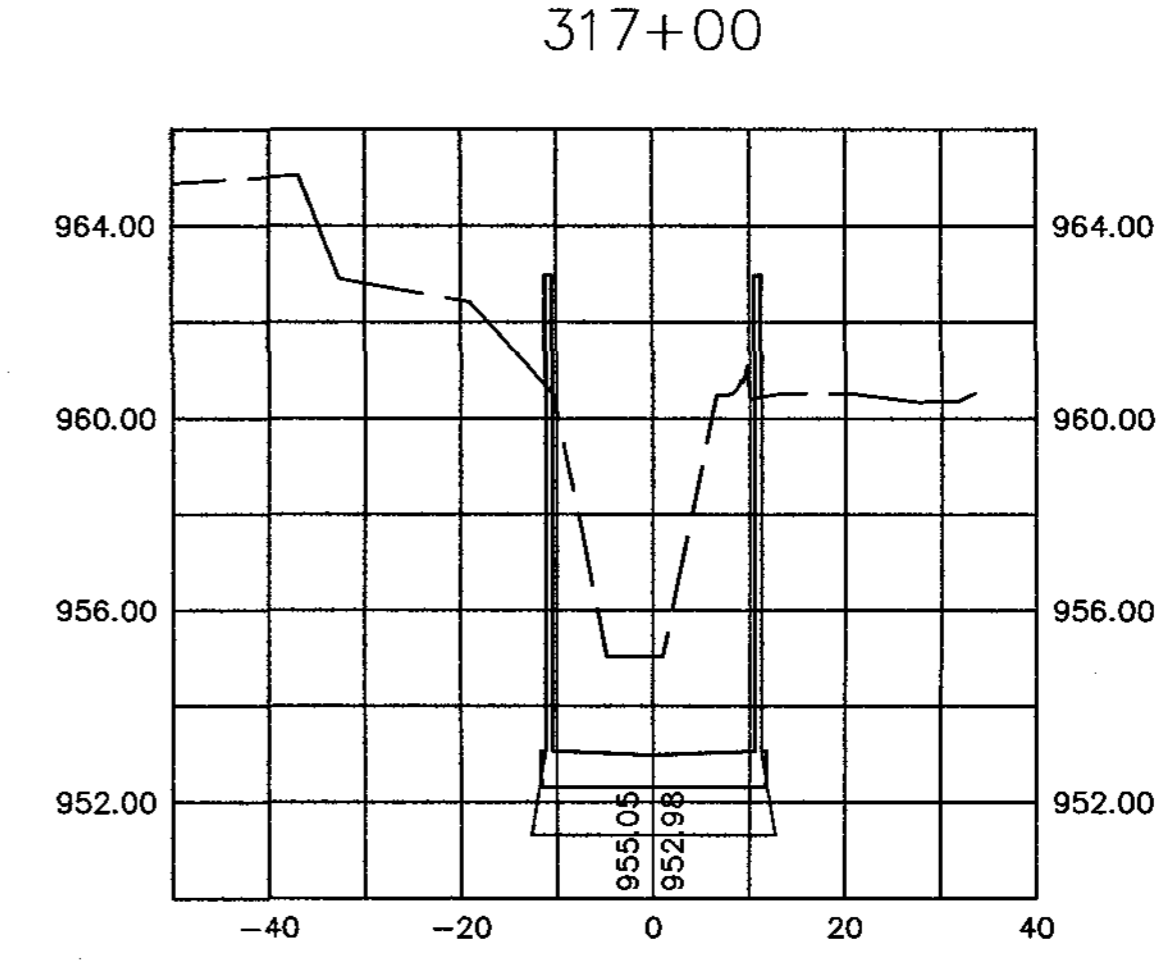
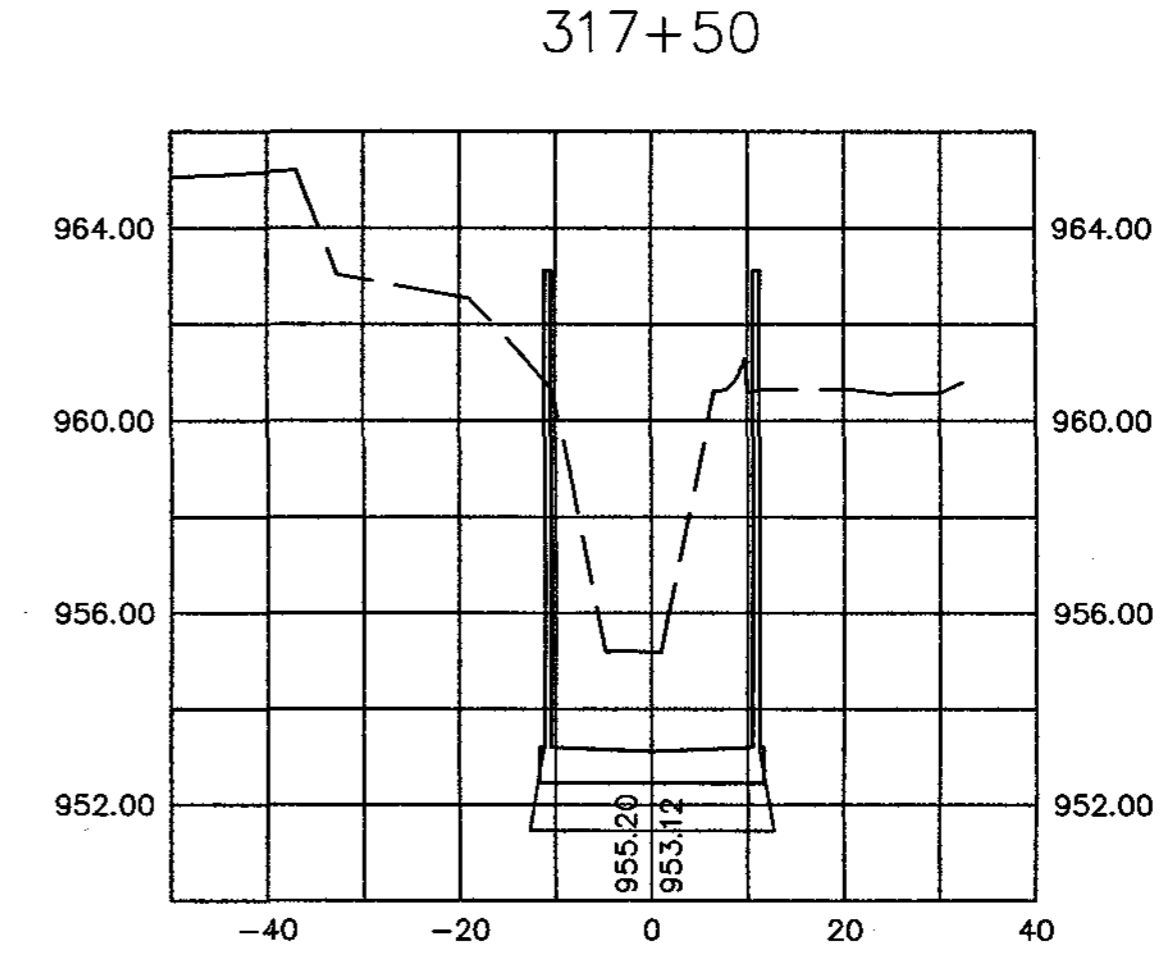
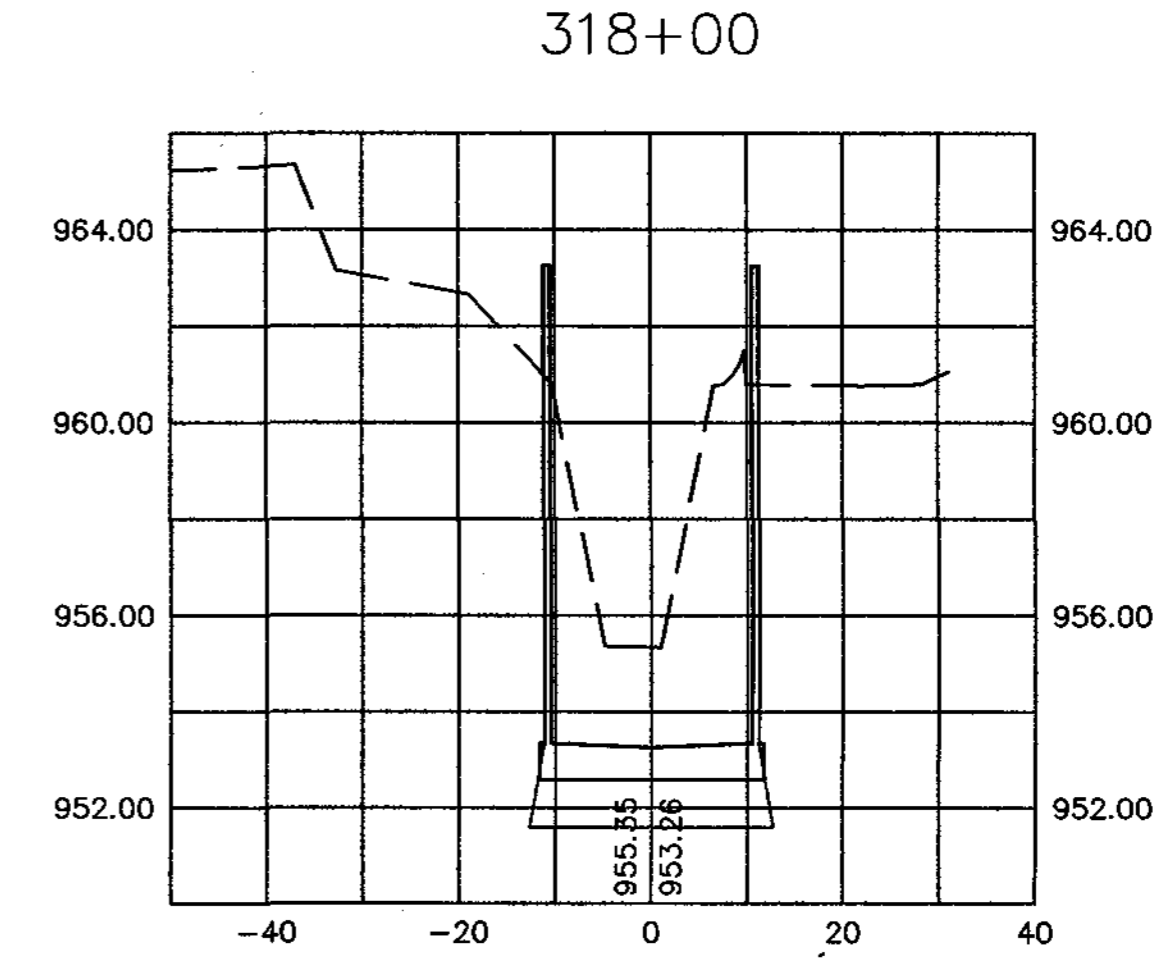
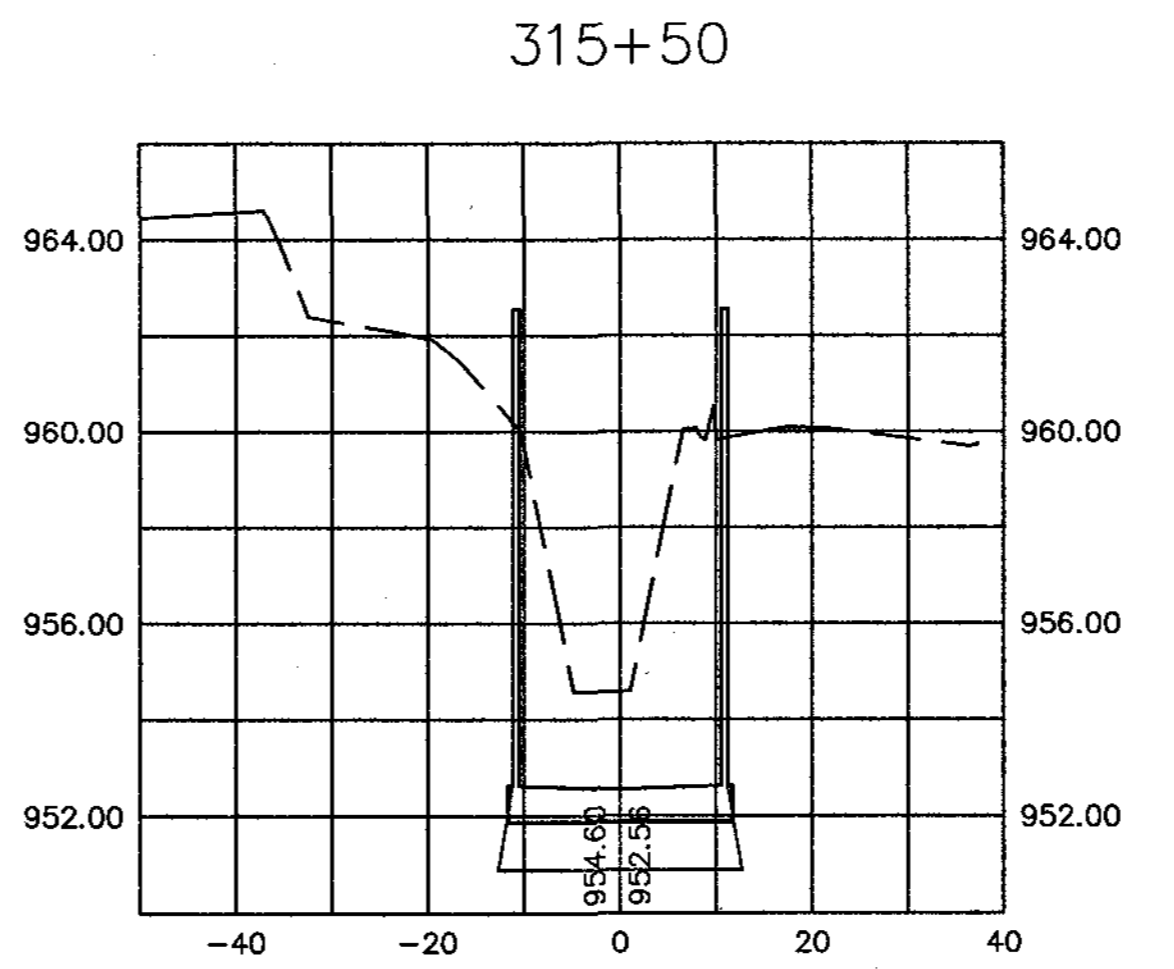
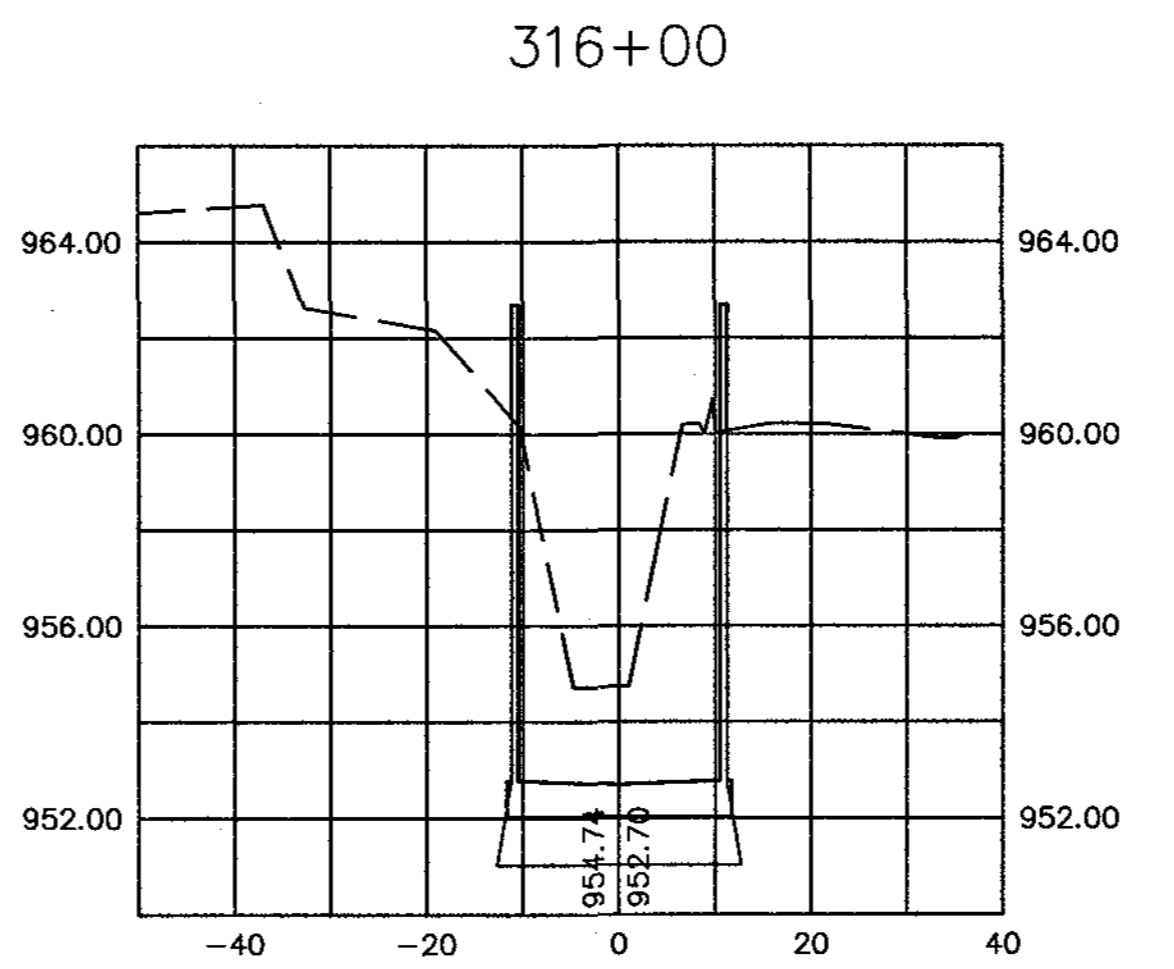
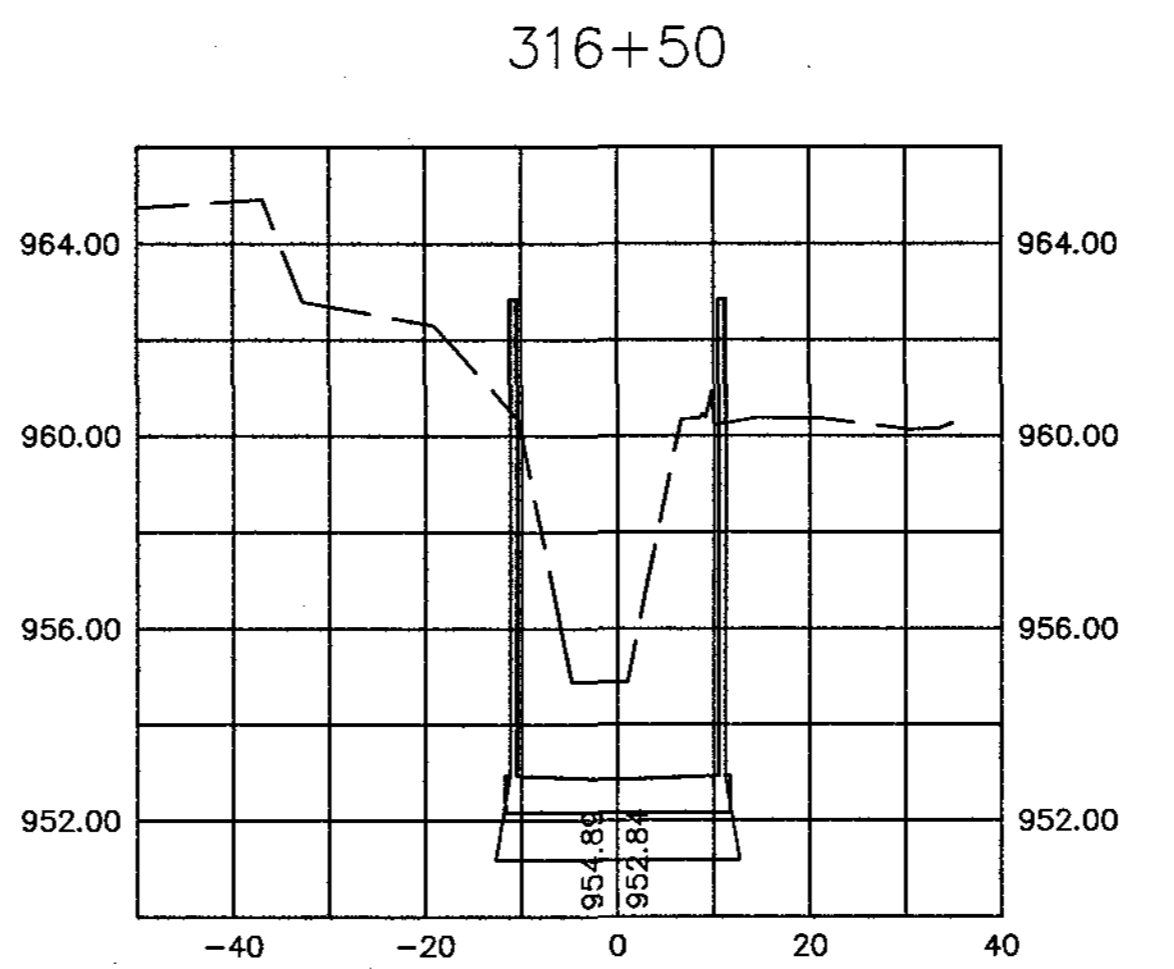
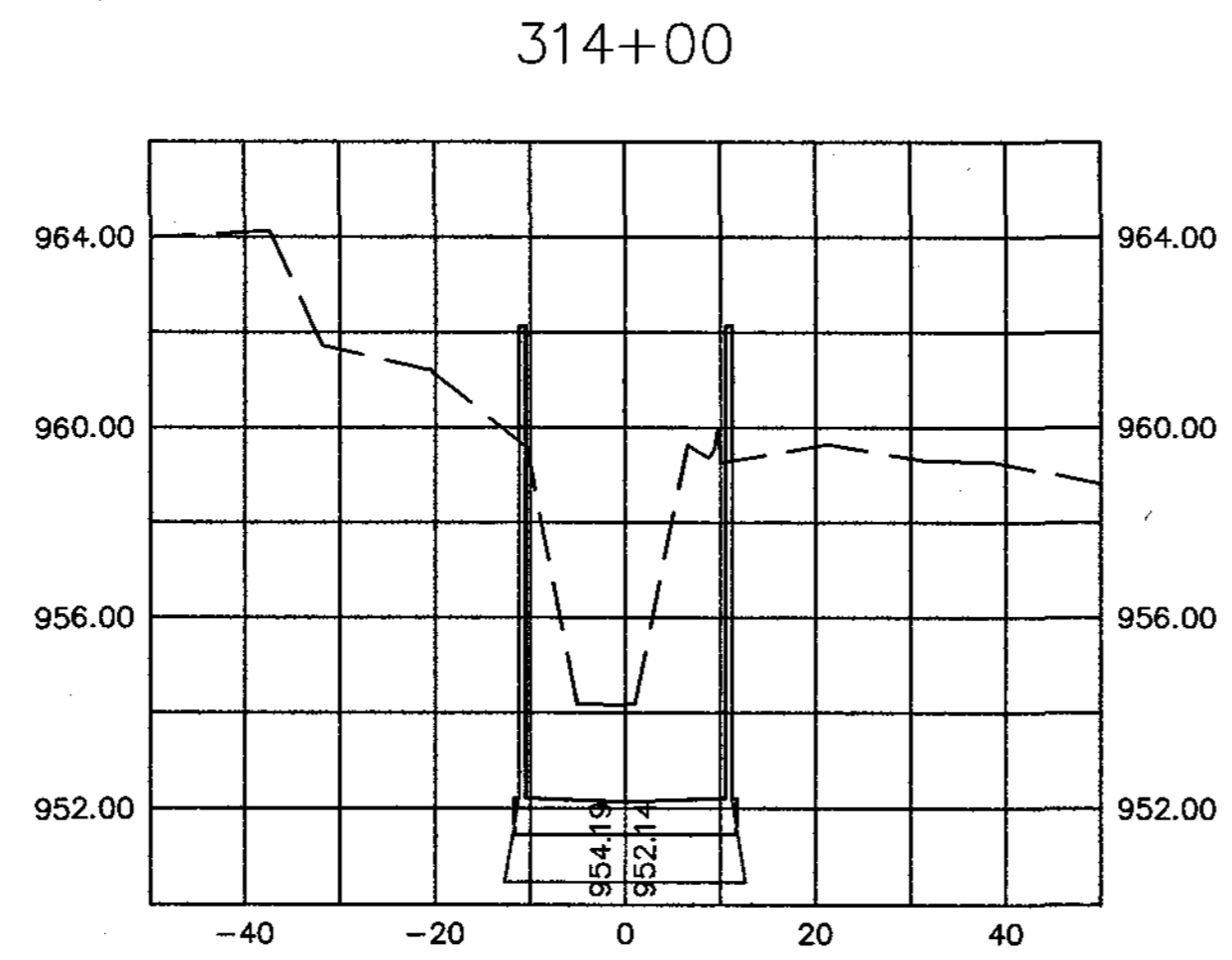
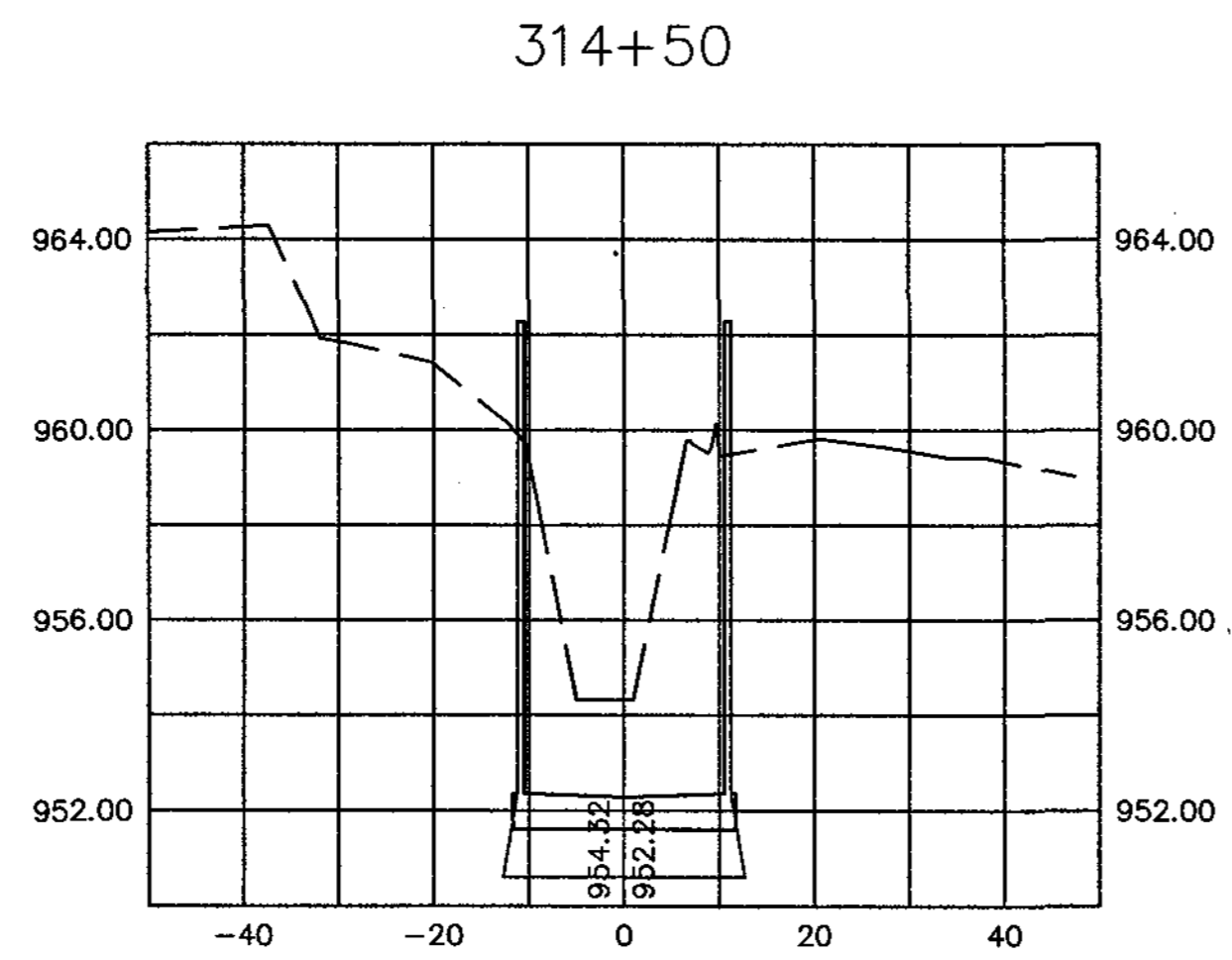
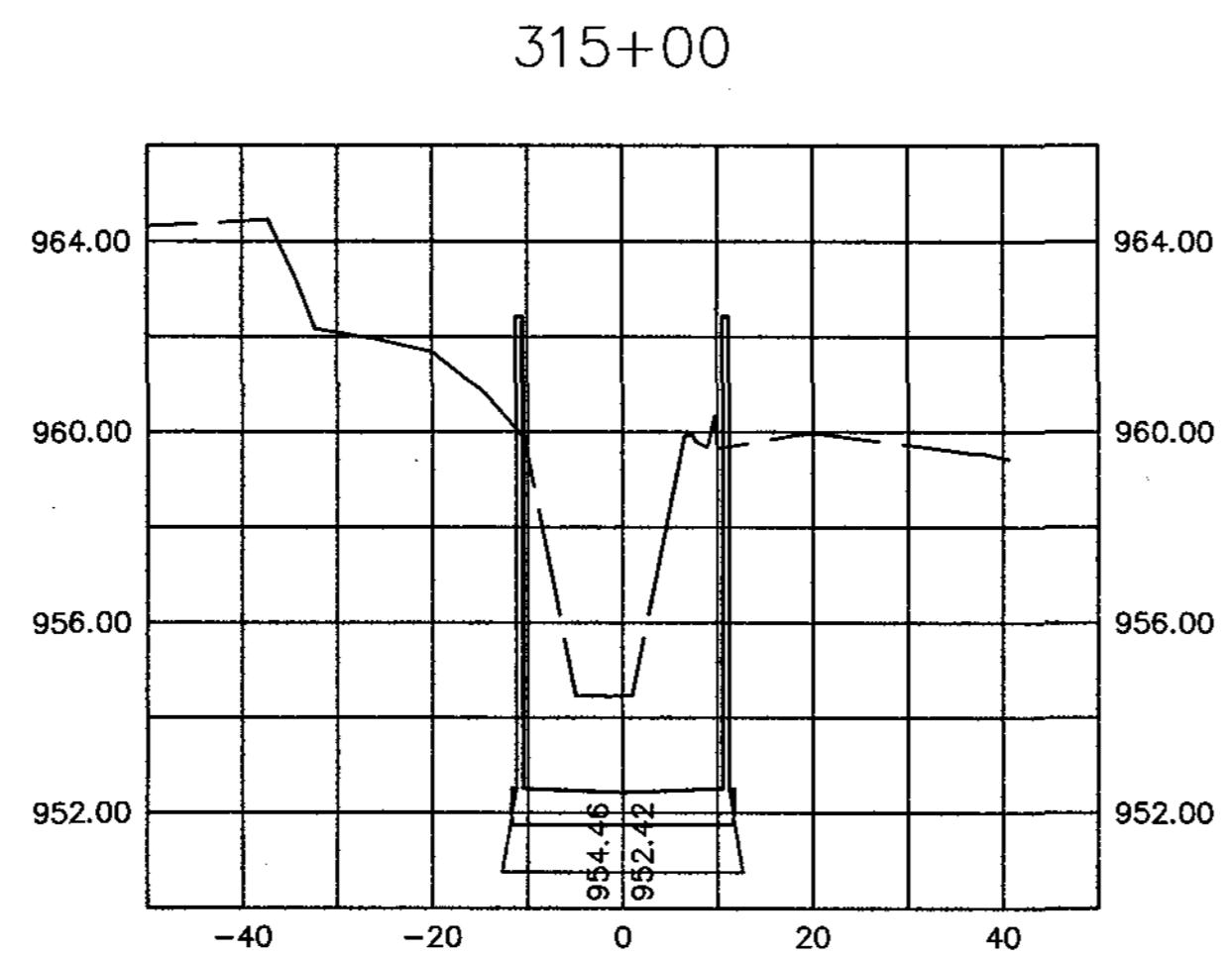
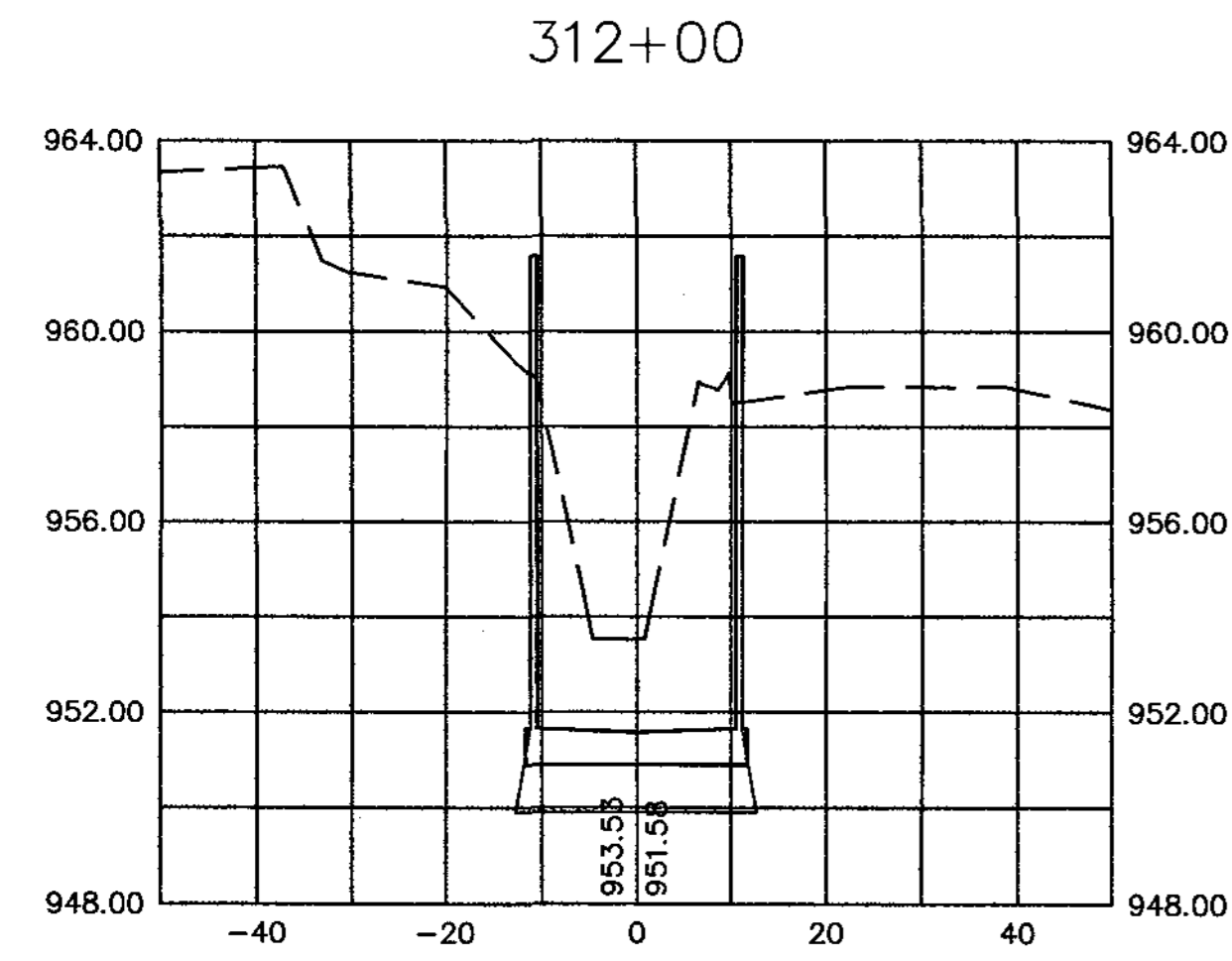
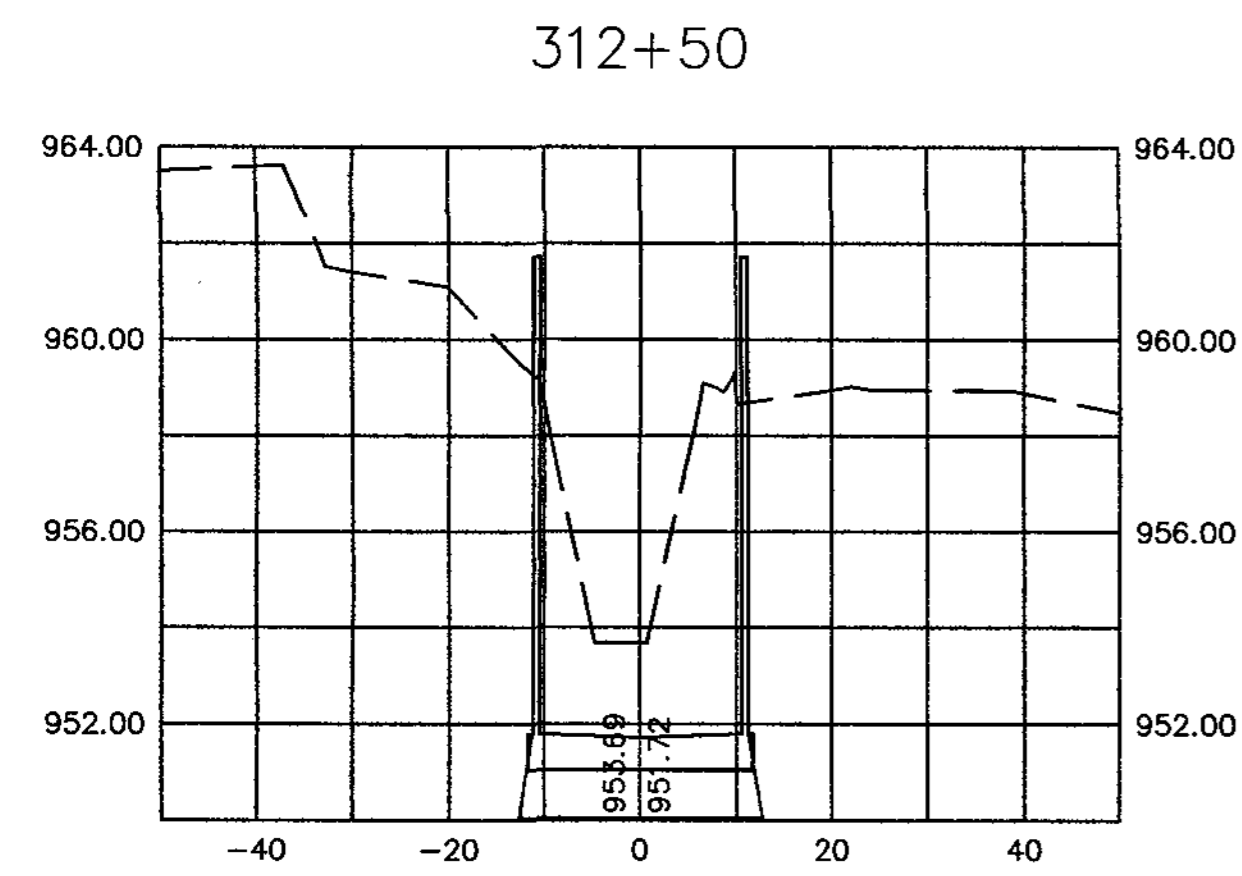
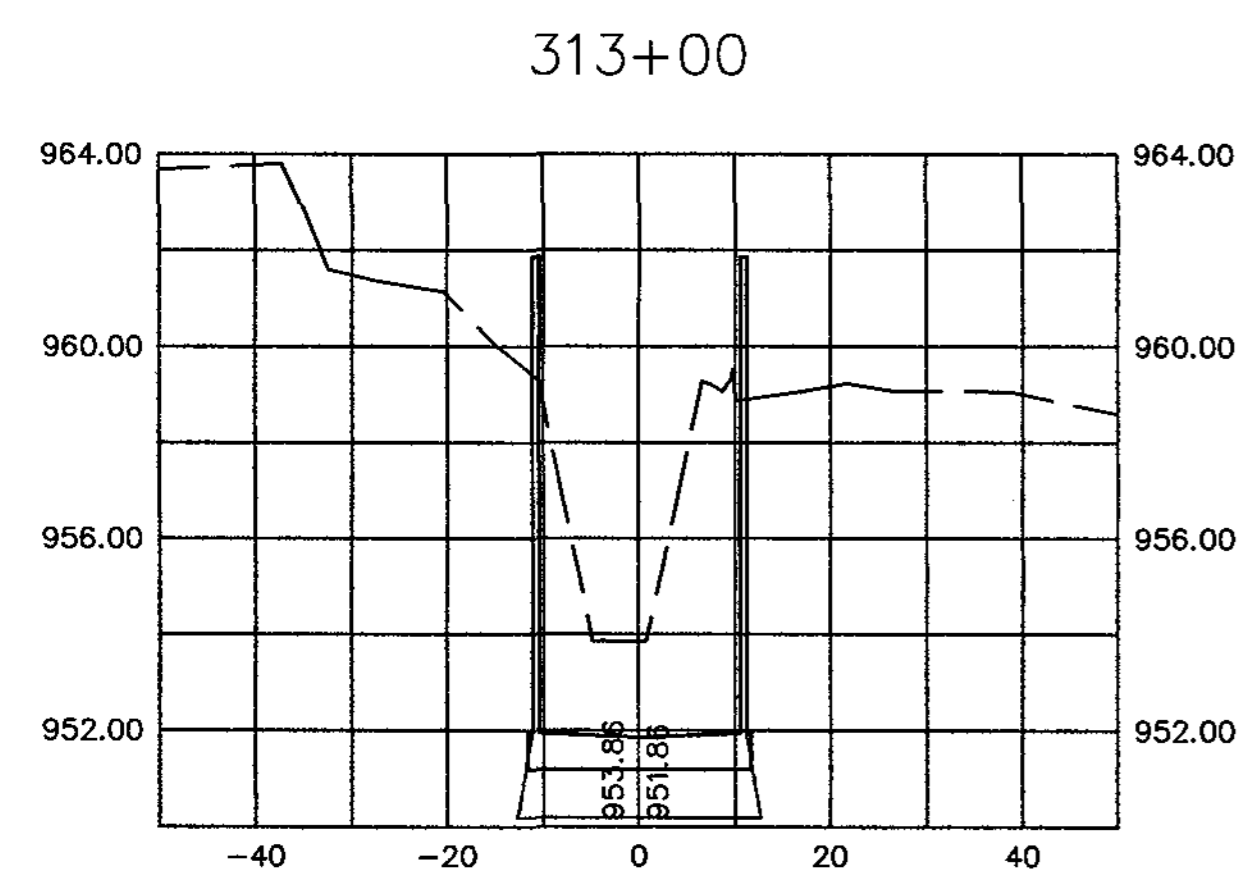
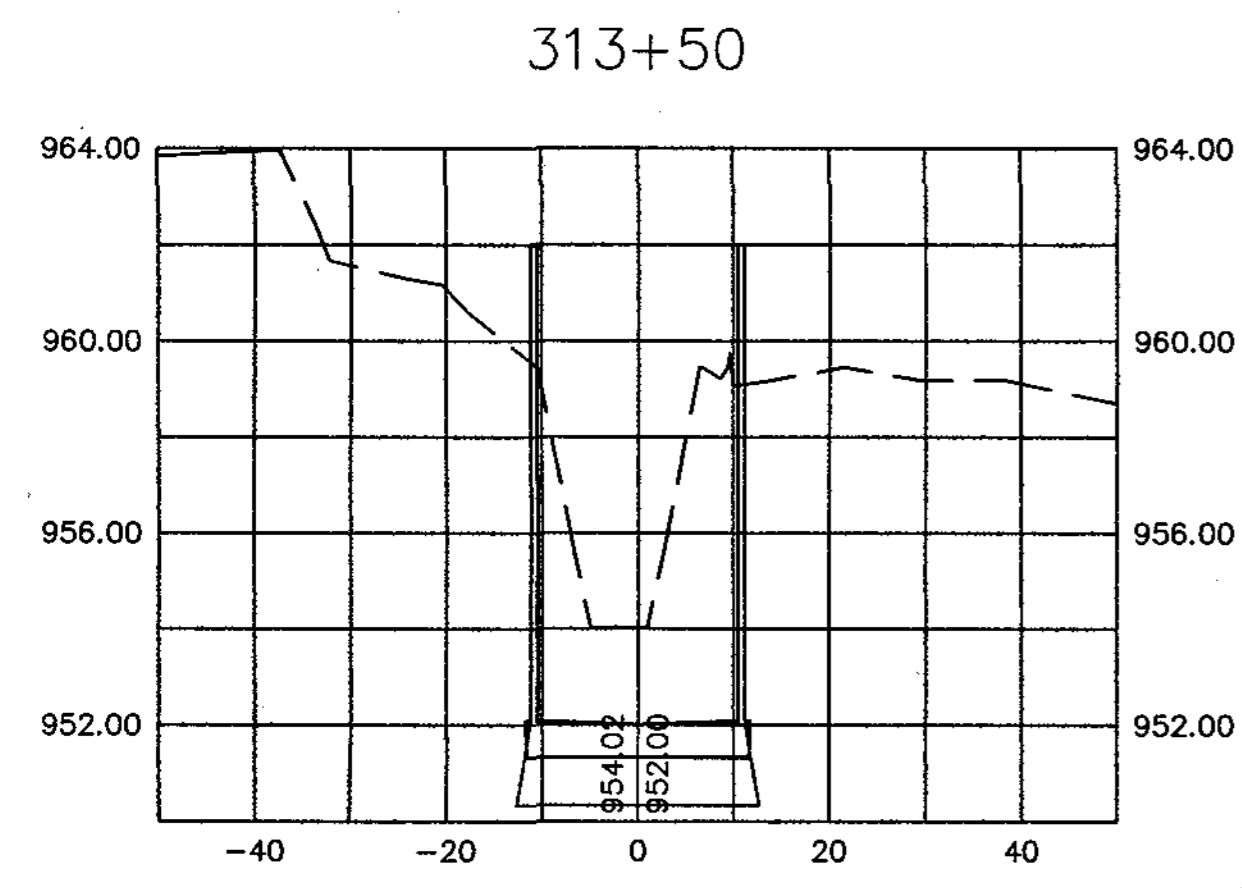


CROSS SECTIONS FOR
WEST STATE STREET CHANNEL
SEGMENT IIB

P&D P&D Consultants
999 Town & Country Rd, 4th Floor
Orange, CA 92868
Phone: (714) 835-4447

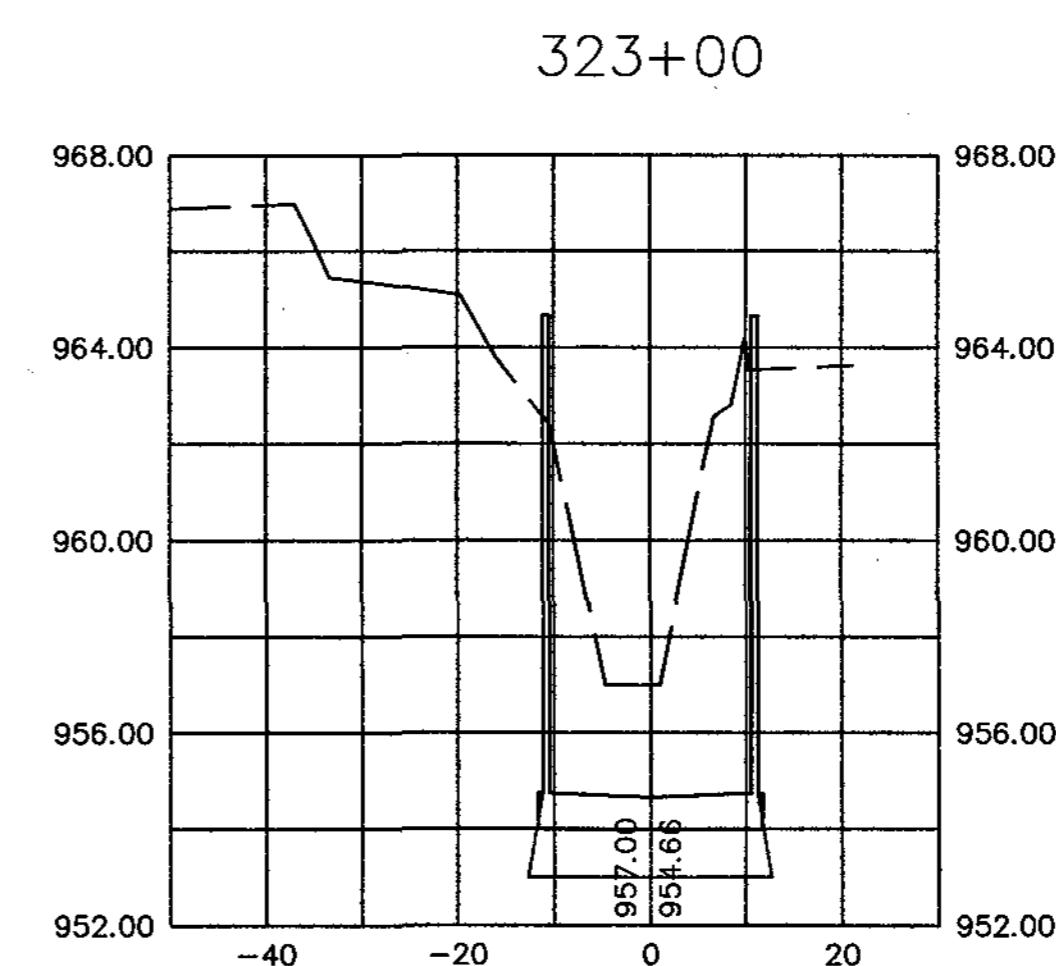
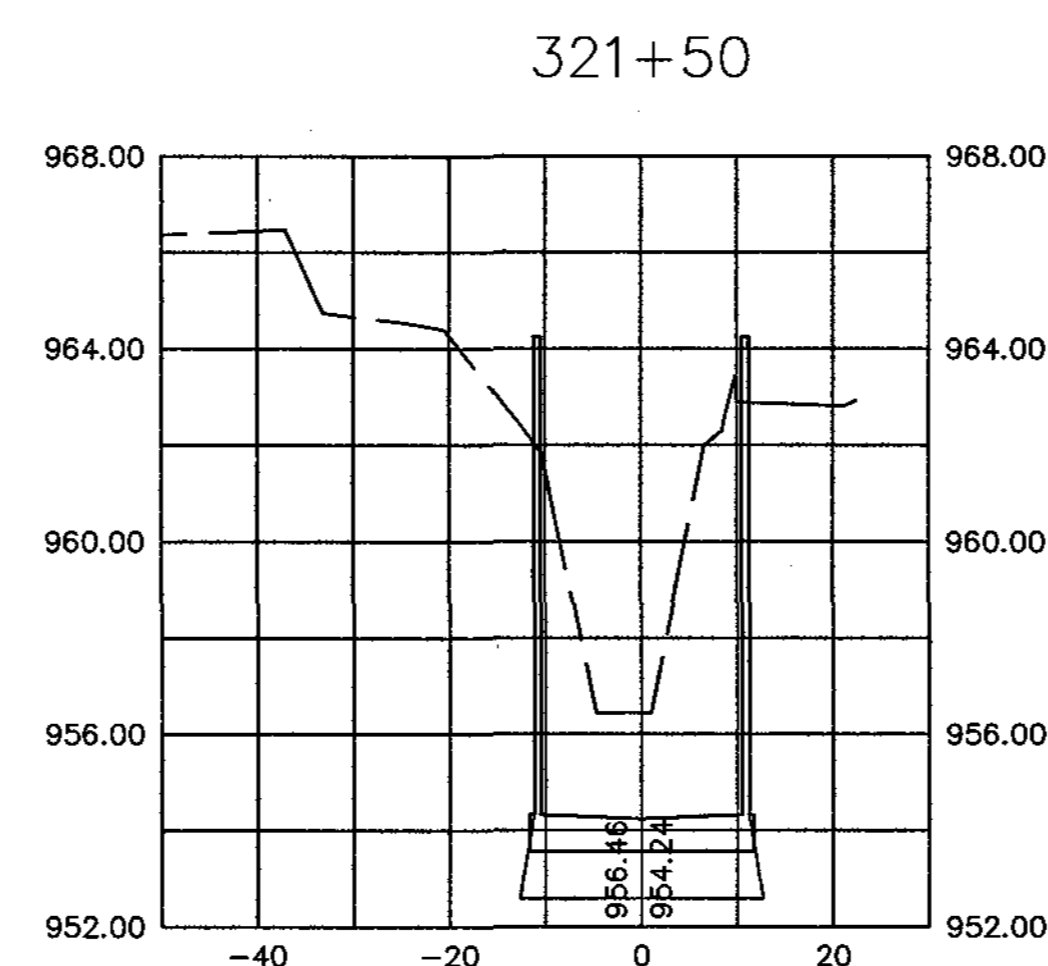
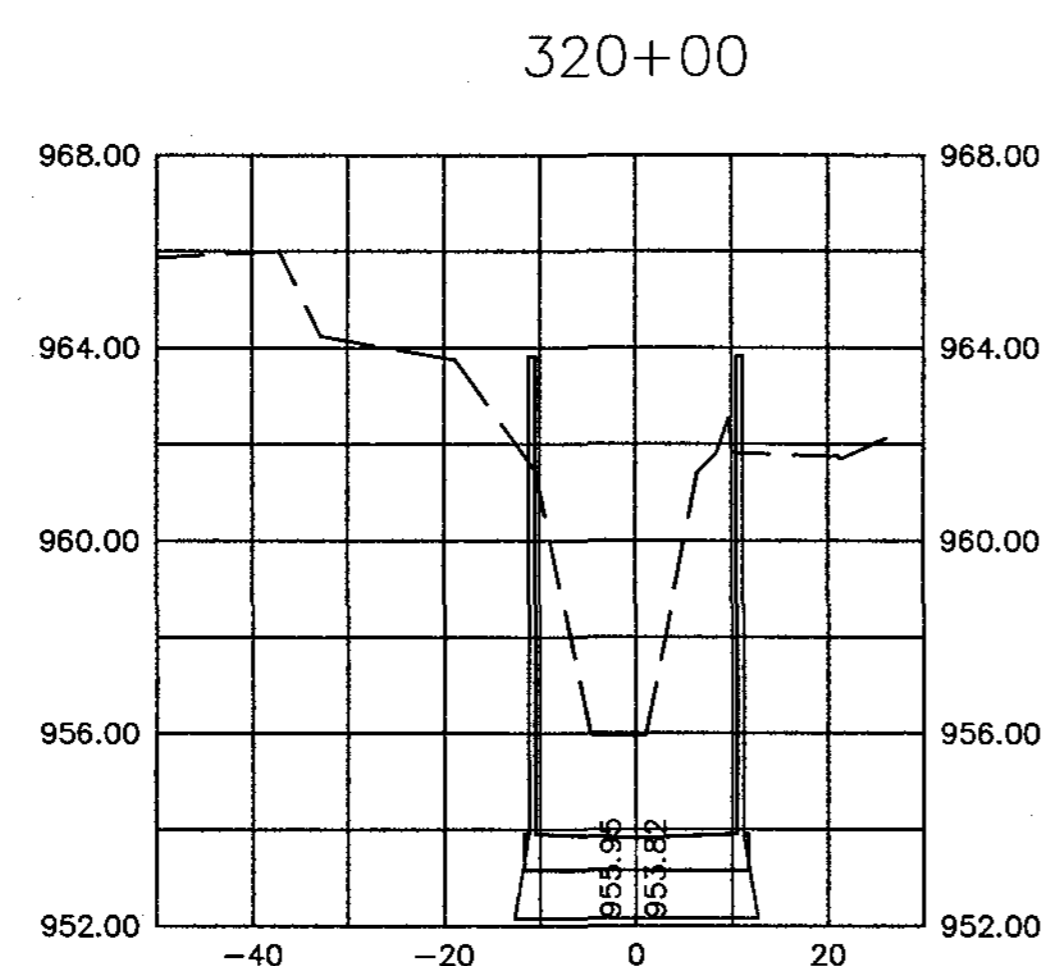
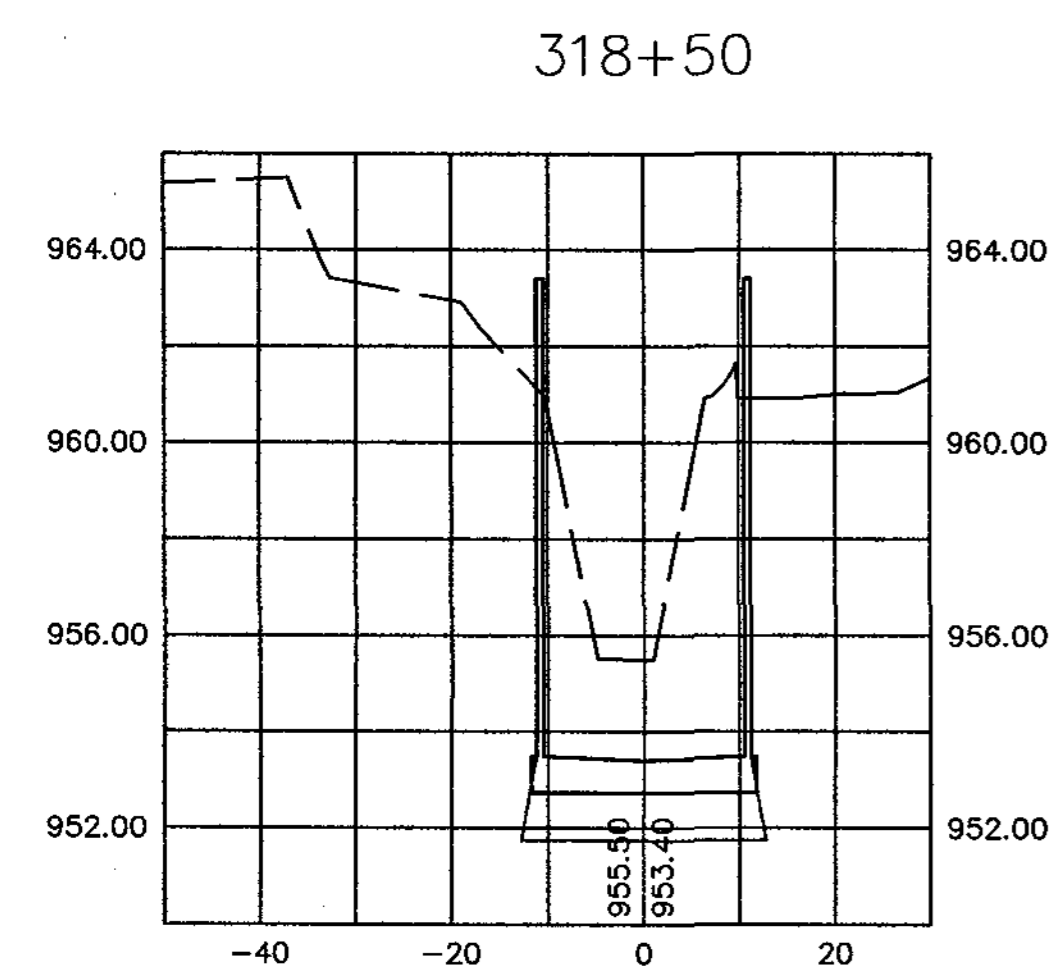
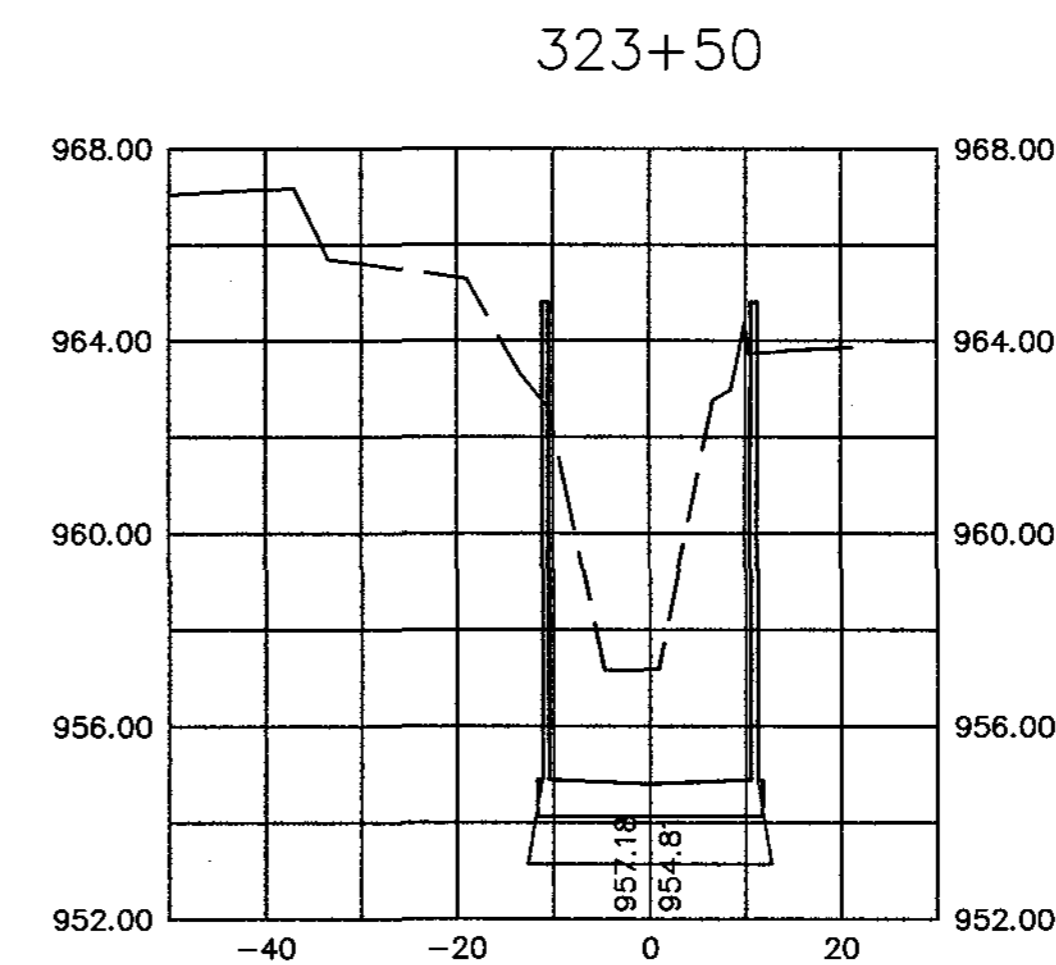
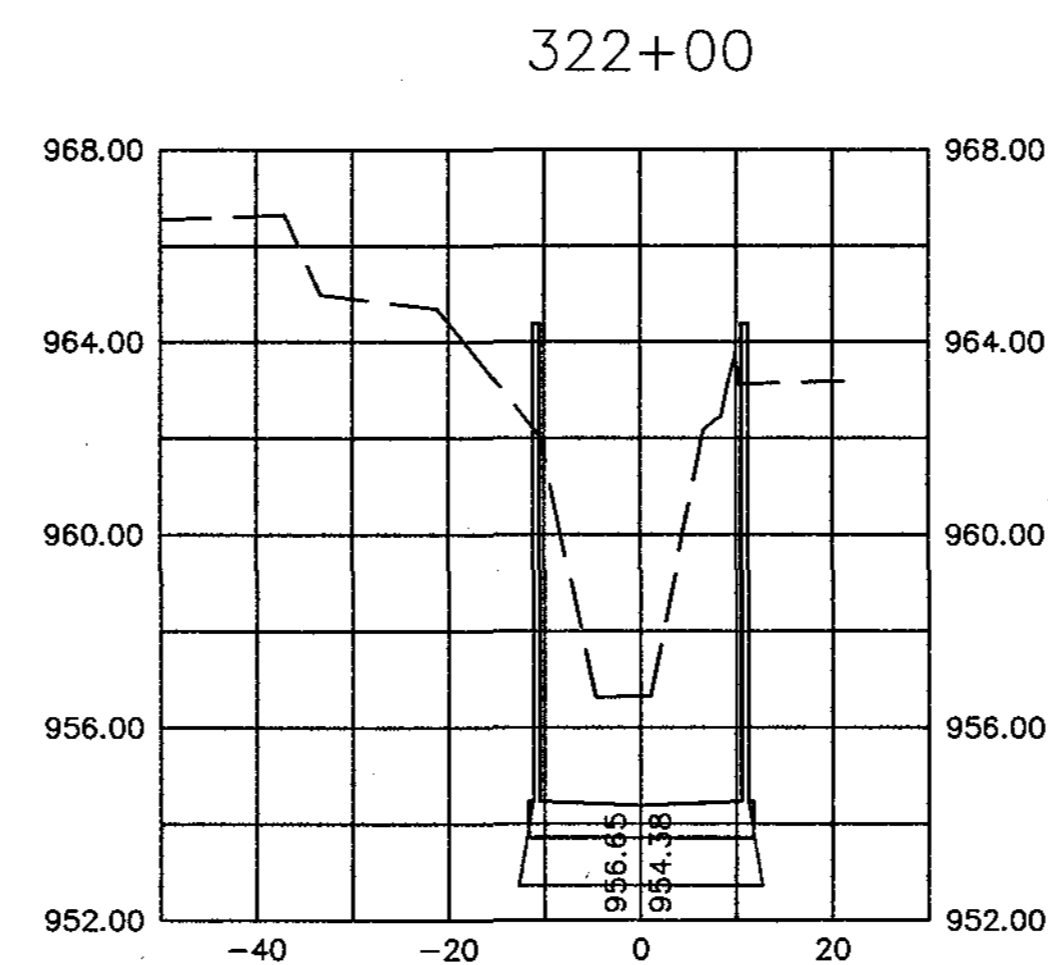
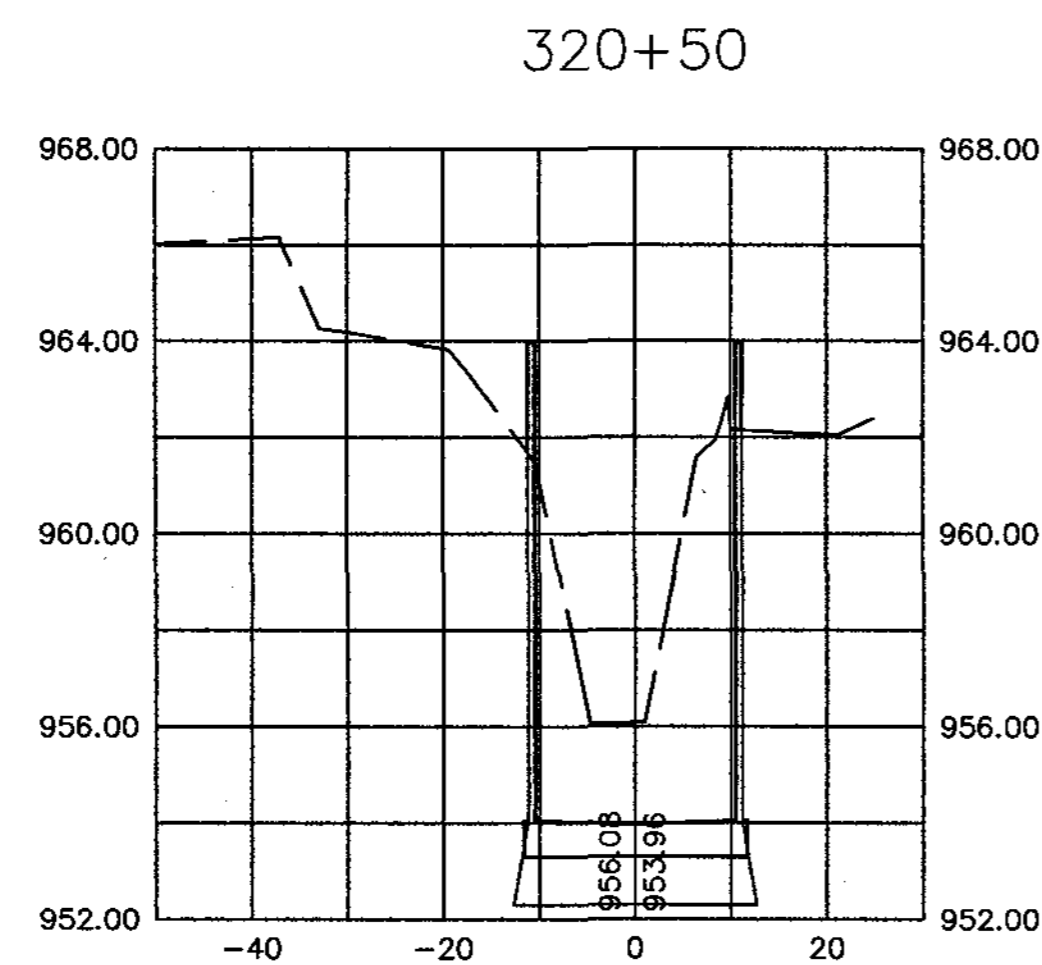
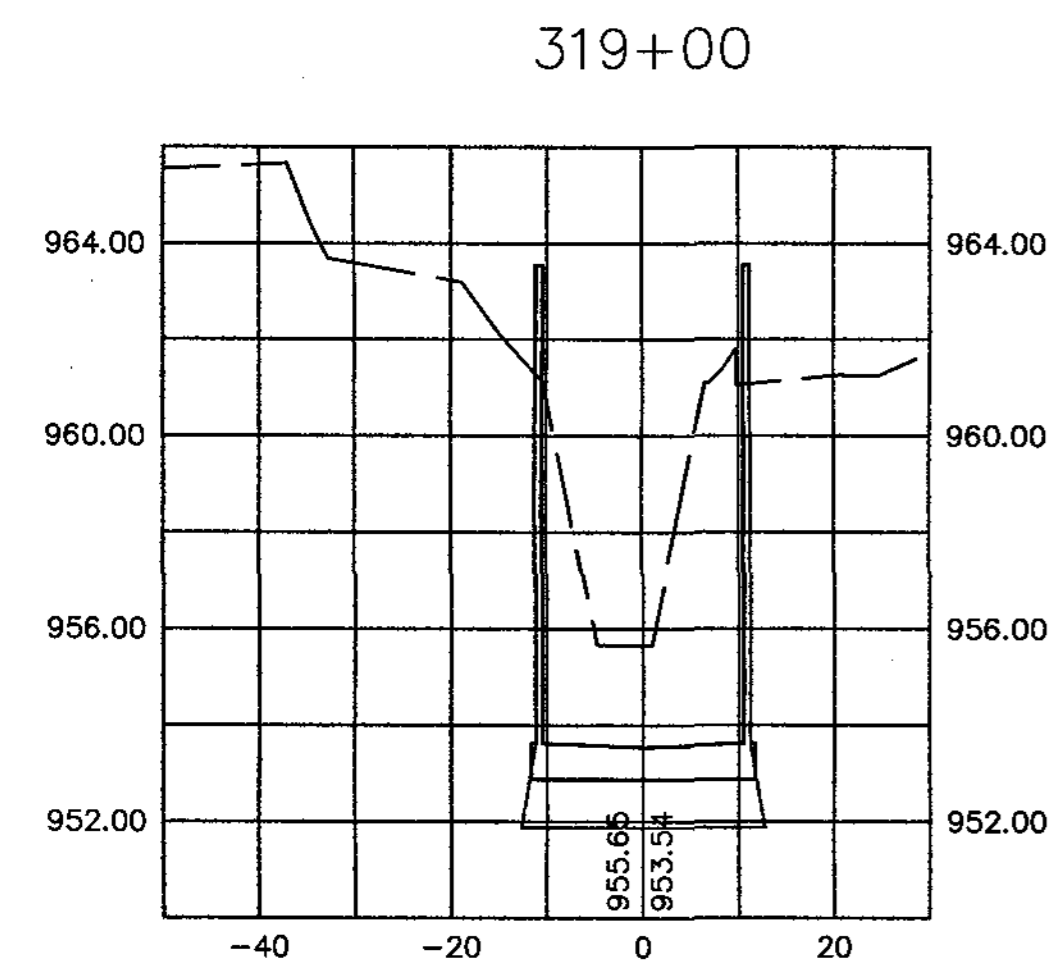
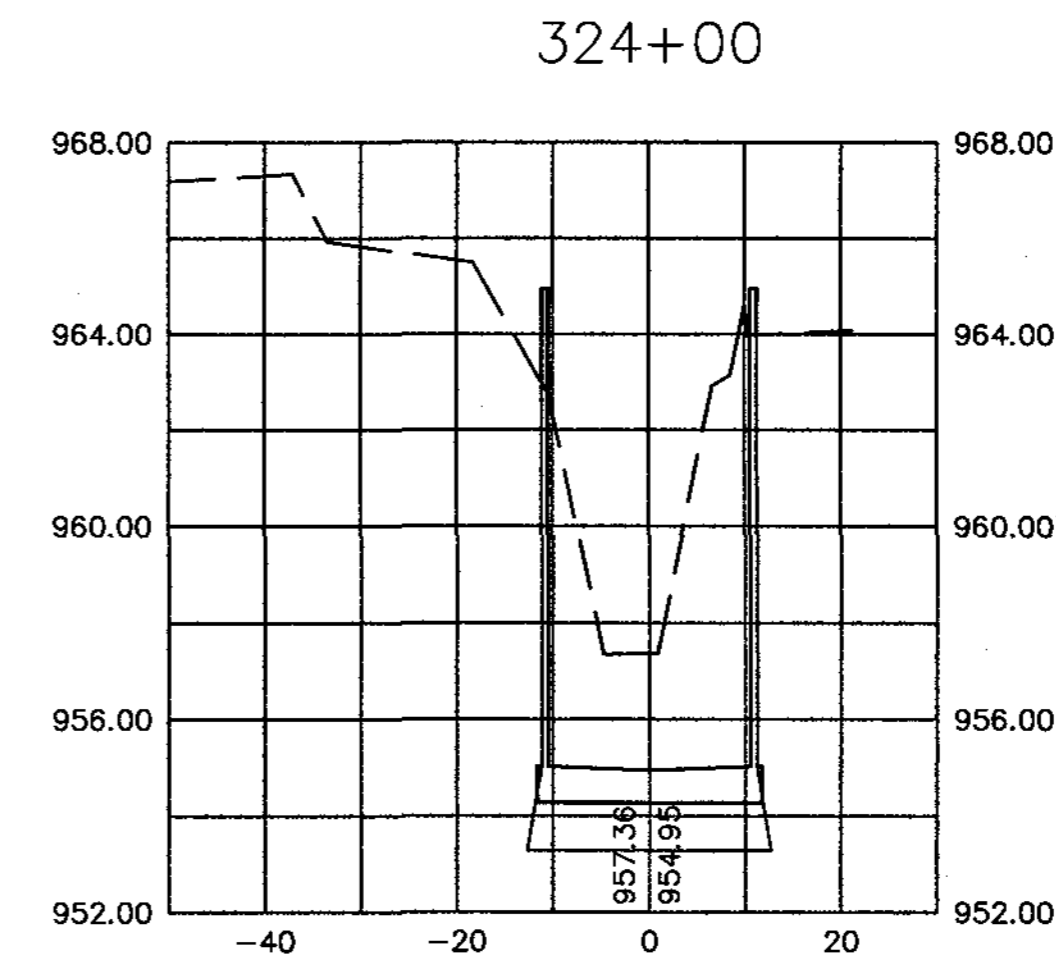
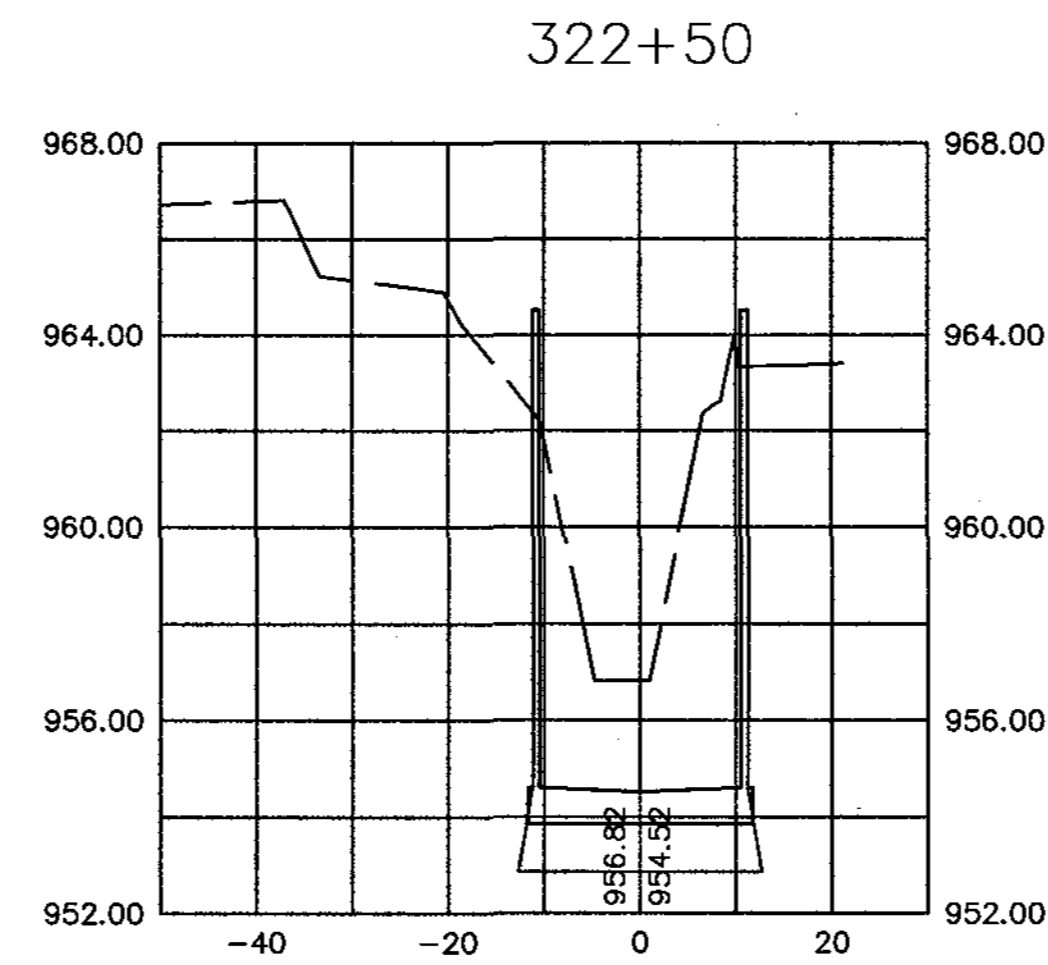
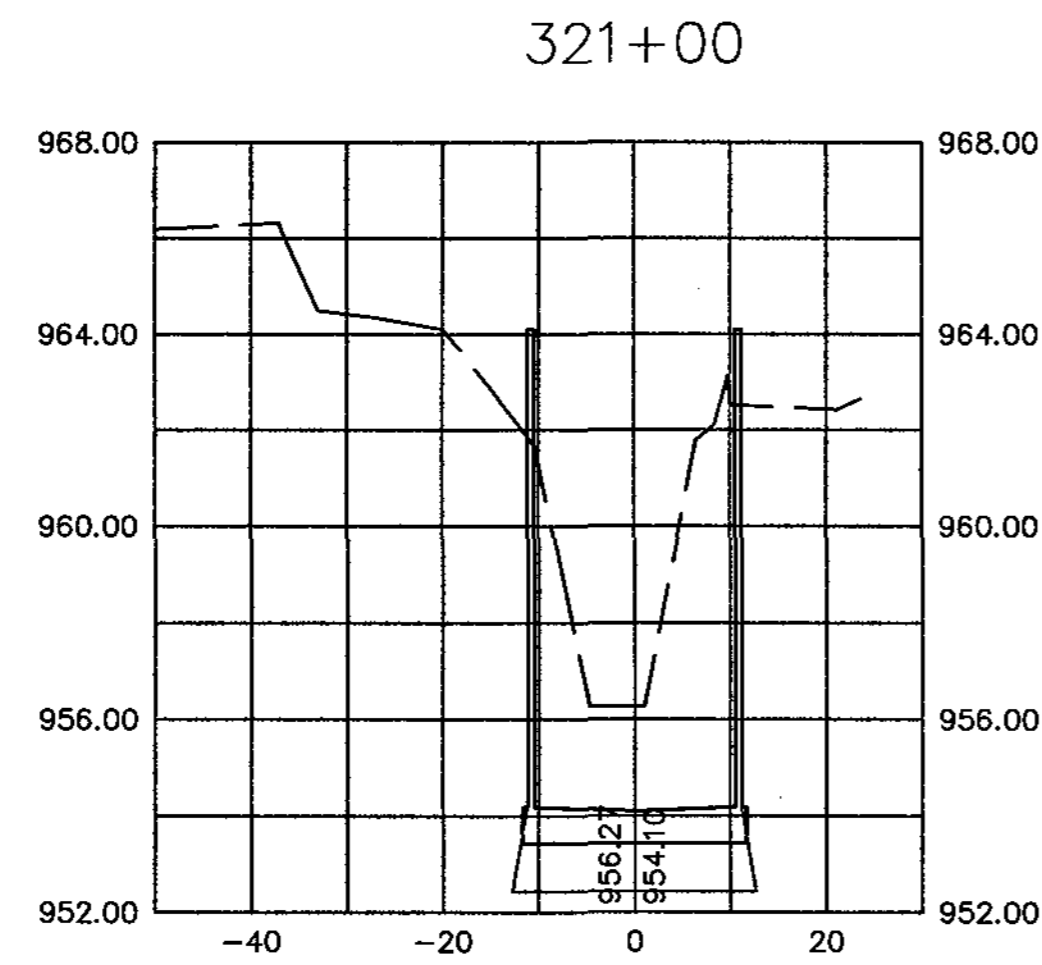
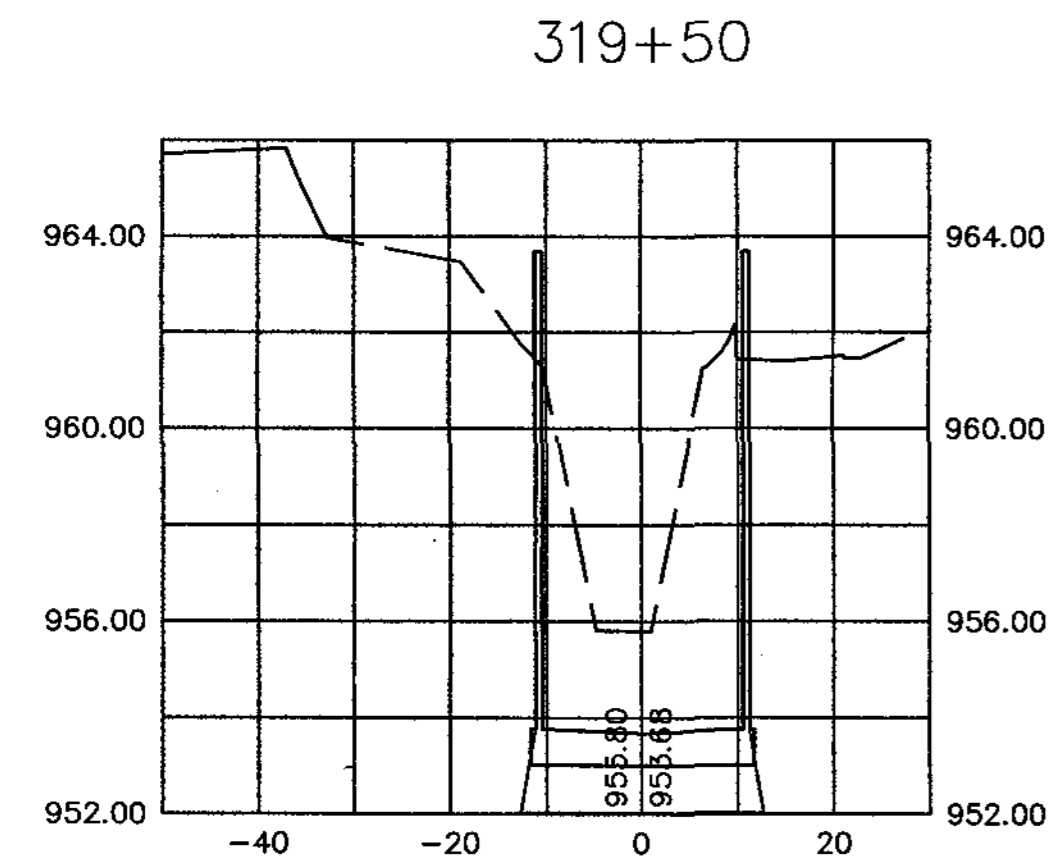
HORIZ. SCALE 1"=20'
VERT. SCALE 1"=4'



P&D P&D Consultants
 999 Town & Country Rd, 4th Floor
 Orange, CA 92668
 Phone: (714) 835-4447

CROSS SECTIONS FOR
 WEST STATE STREET CHANNEL
 SEGMENT IIIB

HORIZ. SCALE 1"=20'
 VERT. SCALE 1"=4'

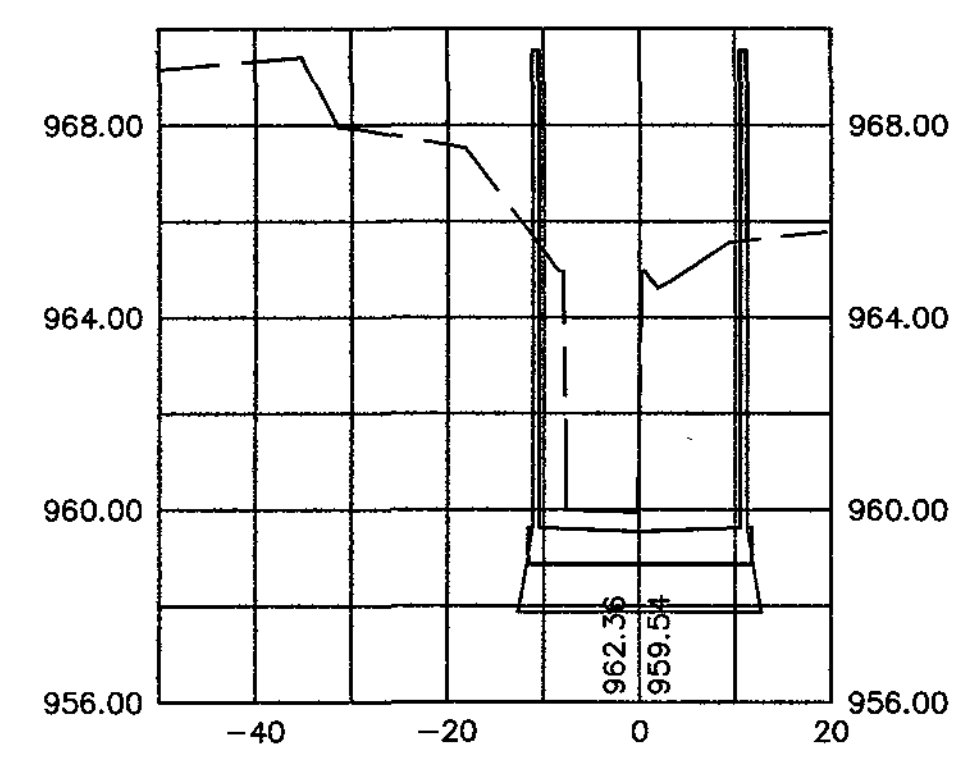


P&D P&D Consultants
 999 Town & Country Rd, 4th Floor
 Orange, CA 92668
 Phone: (714) 835-4447

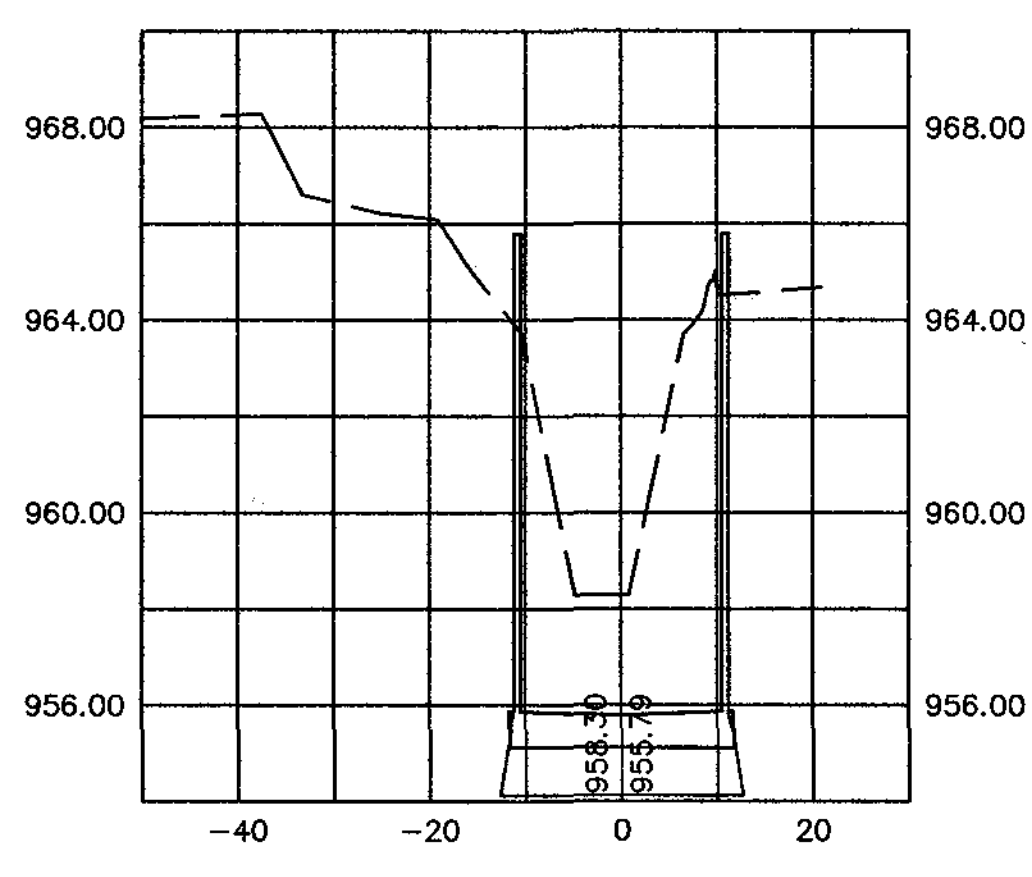
CROSS SECTIONS FOR
 WEST STATE STREET CHANNEL
 SEGMENT IIIB

HORIZ. SCALE 1"=20'
 VERT. SCALE 1"=4'

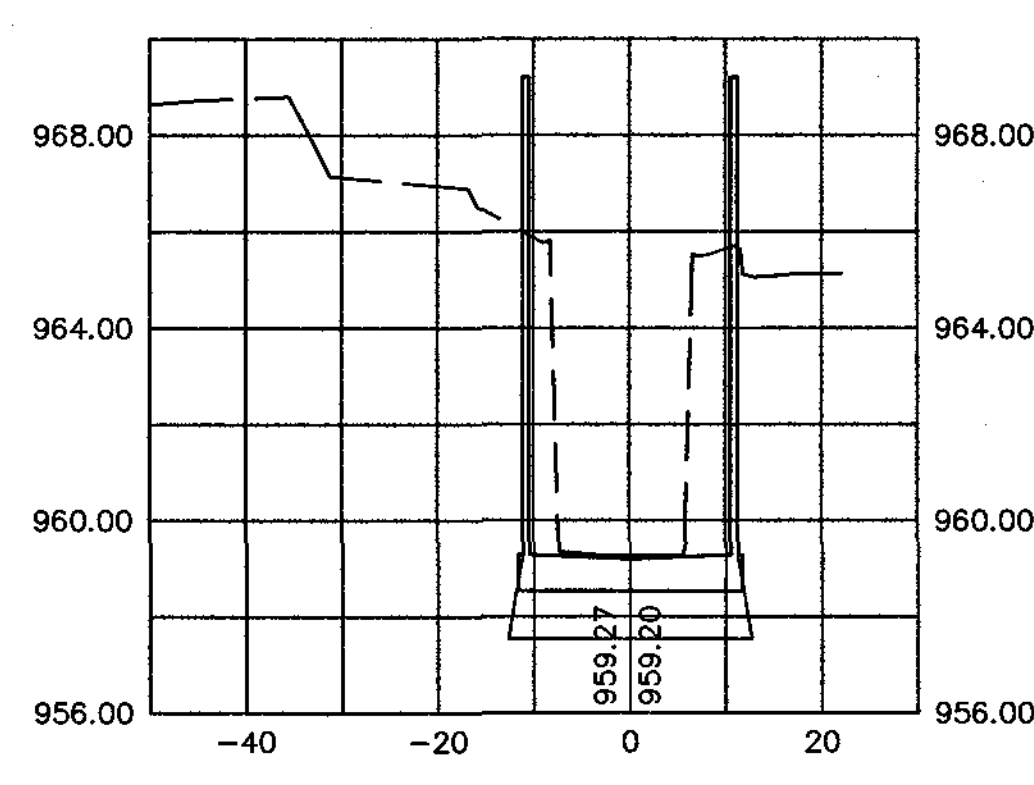
330+50



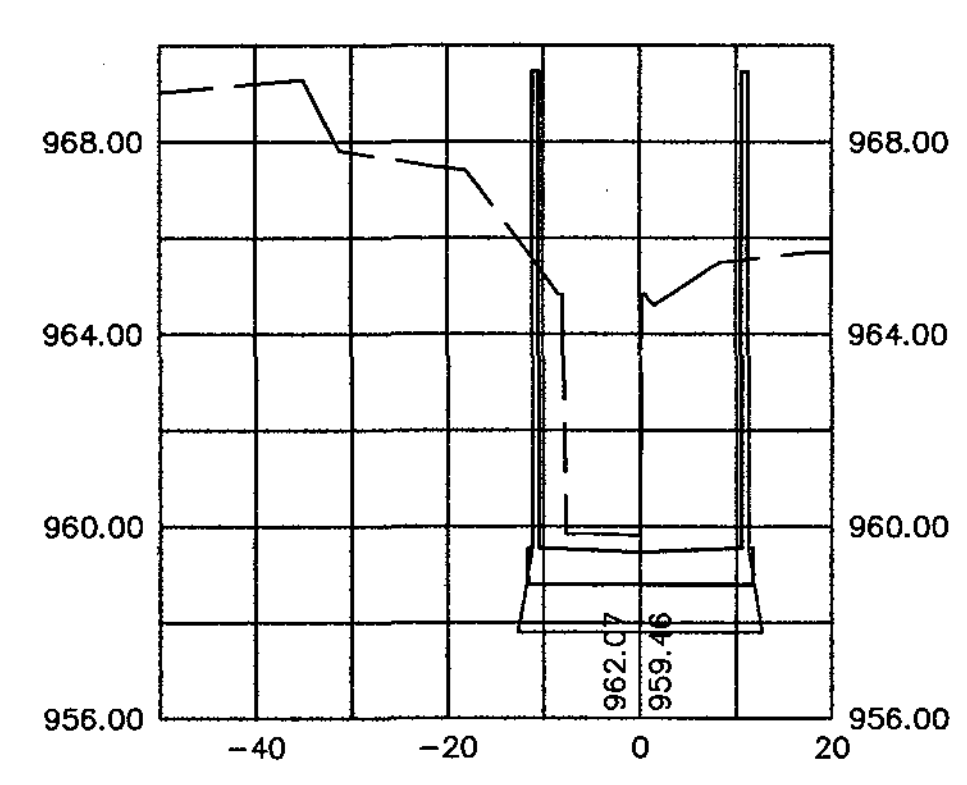
327+00



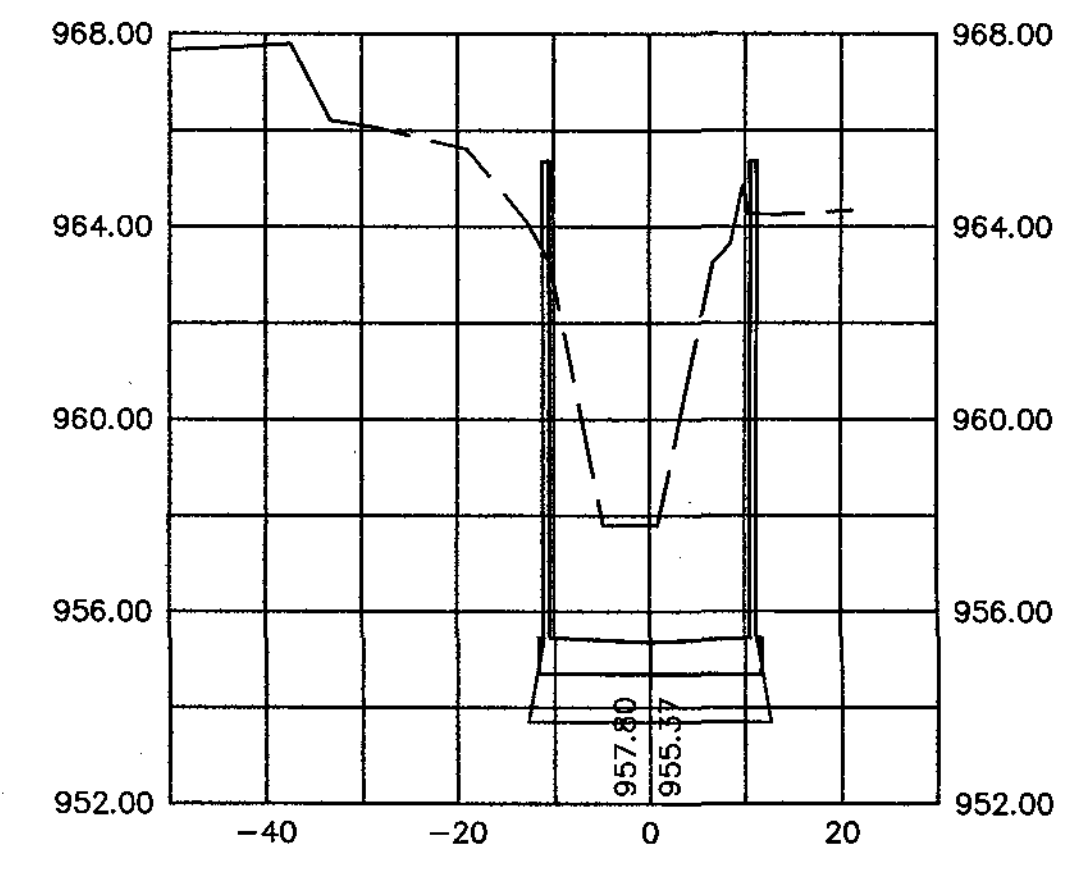
328+50



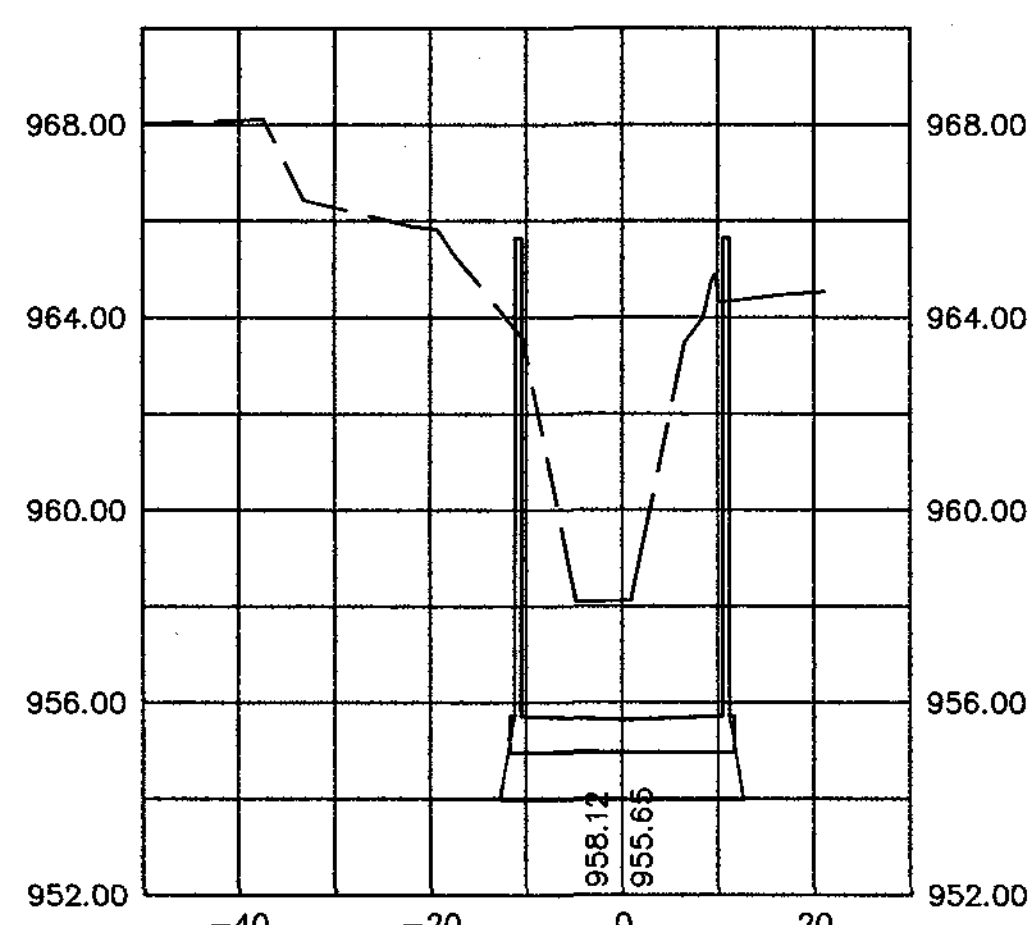
330+00



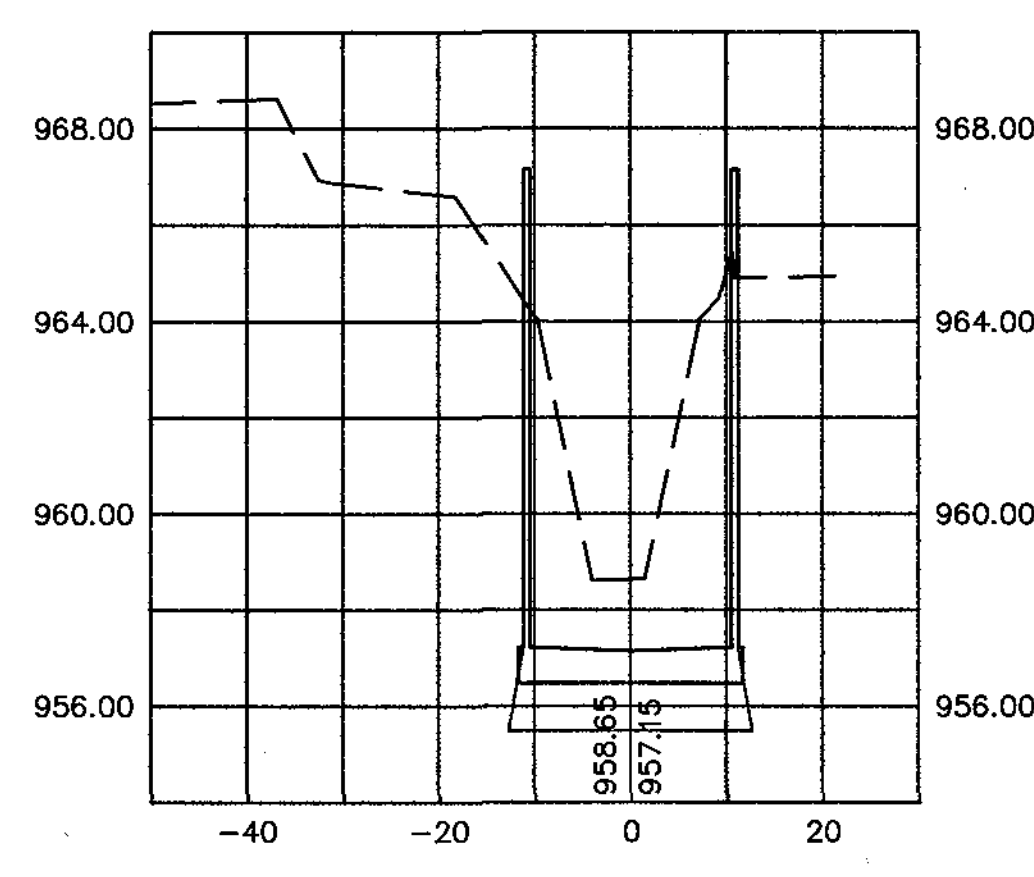
325+50



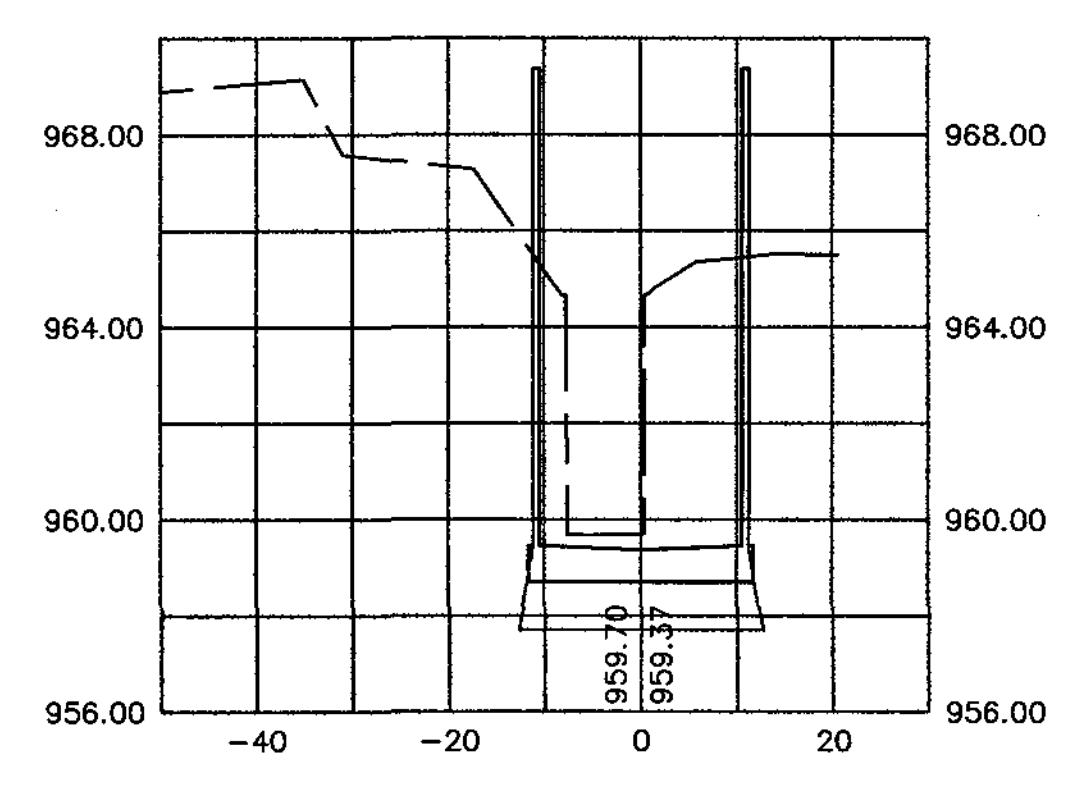
326+50



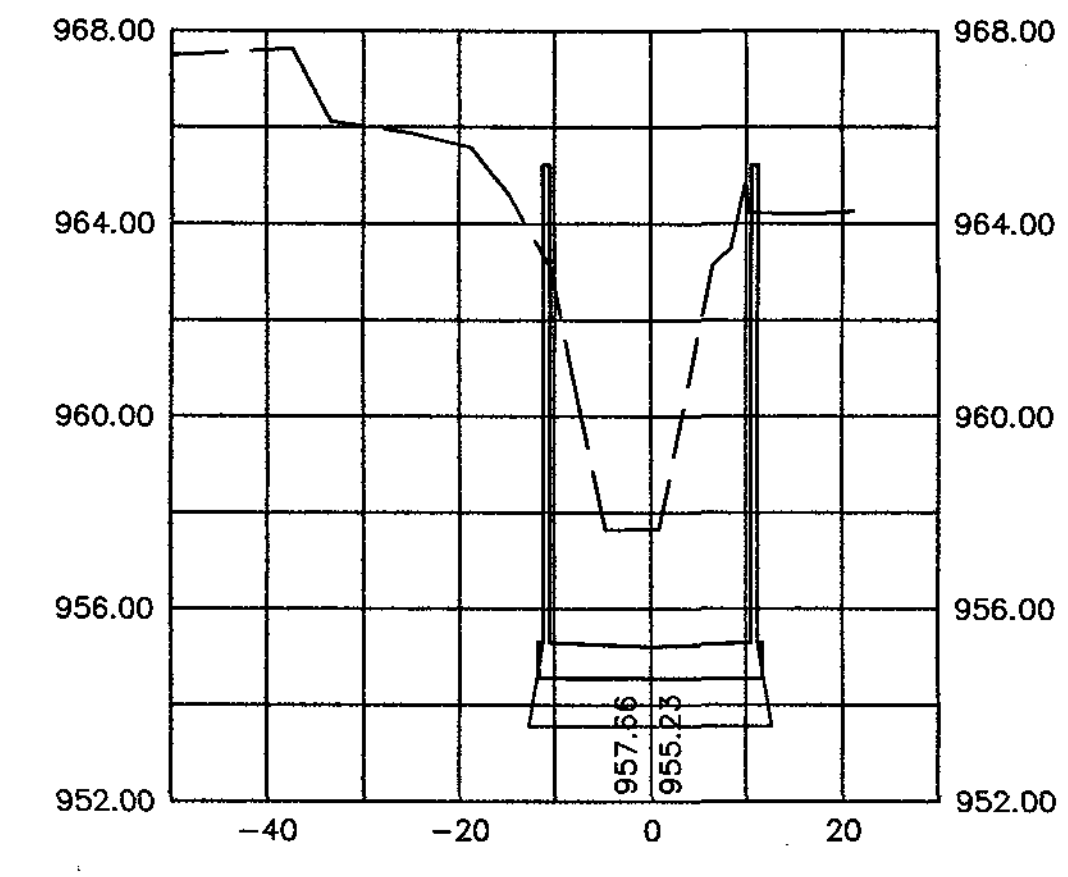
328+00



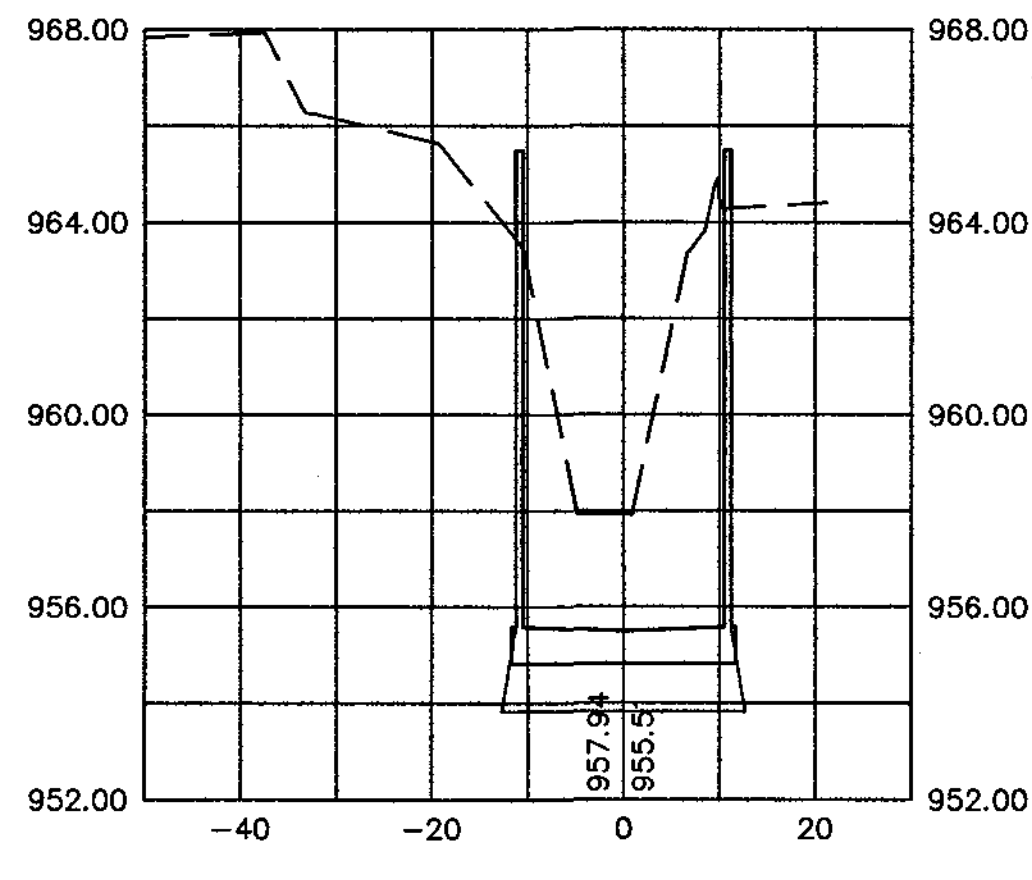
329+50



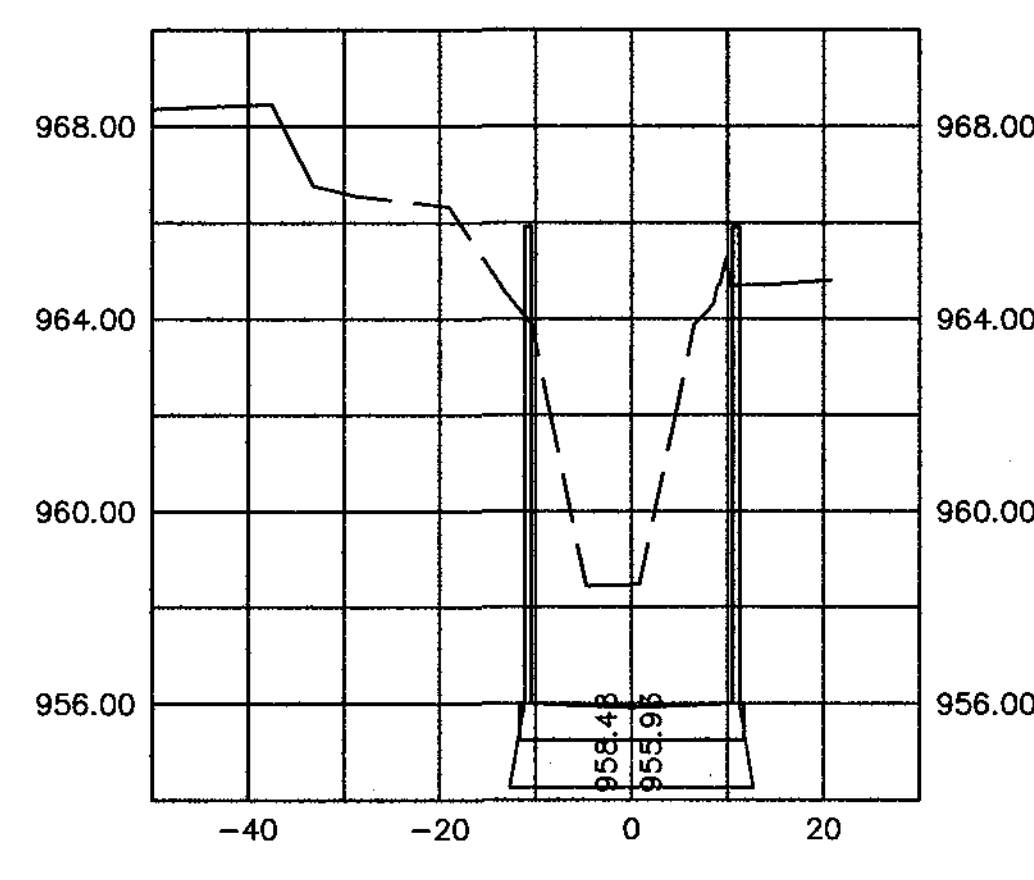
325+00



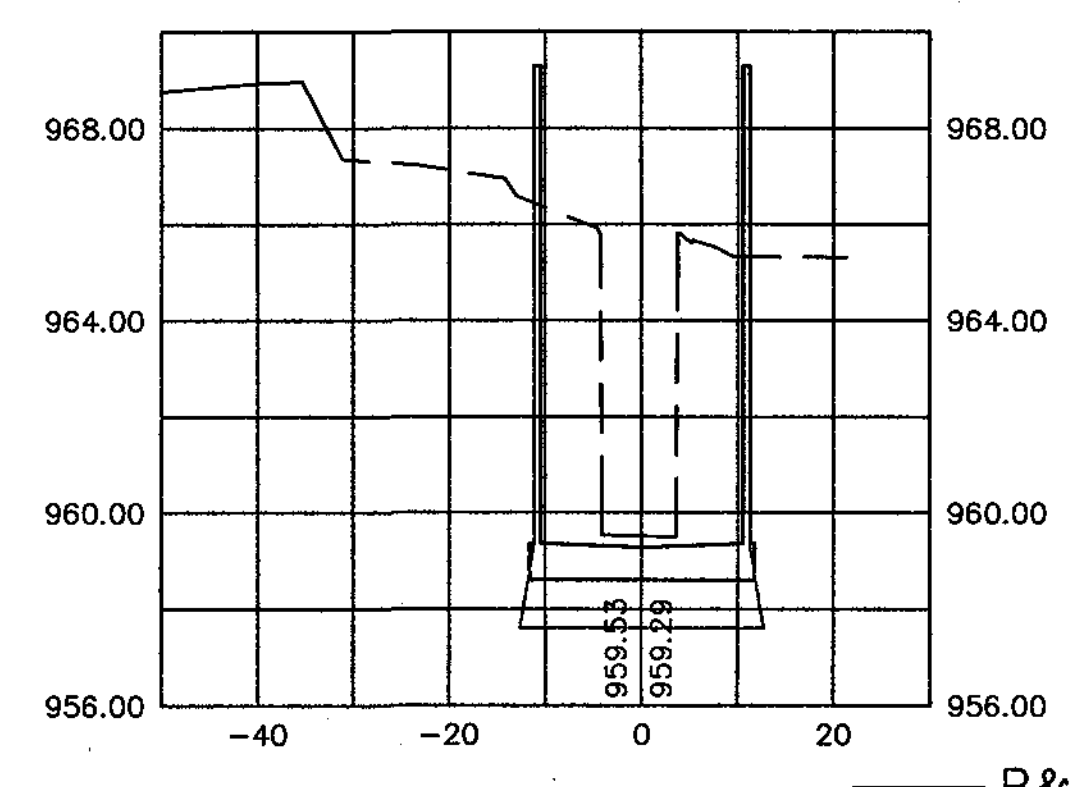
326+00



327+50



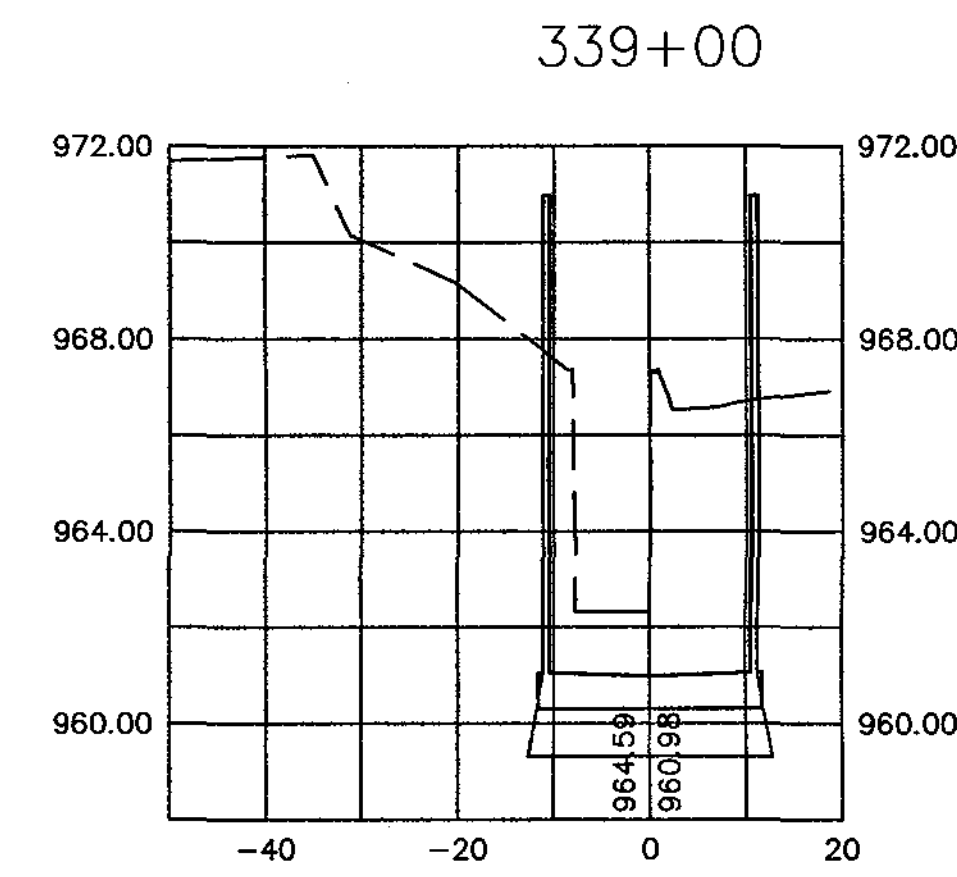
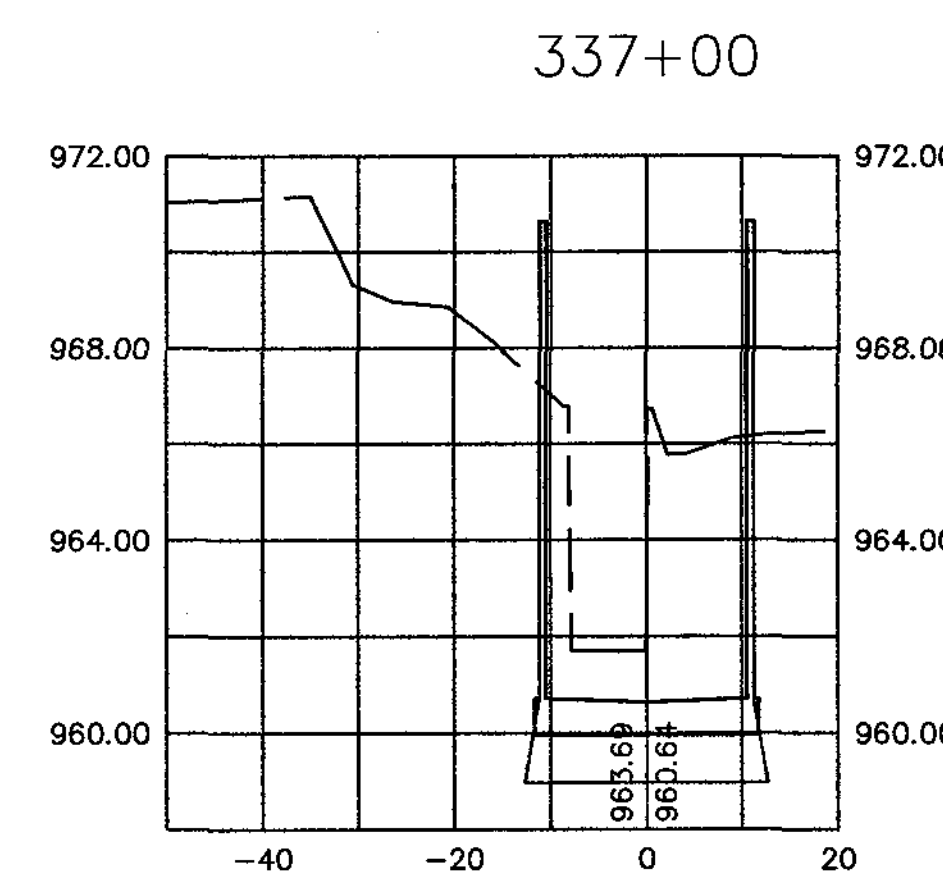
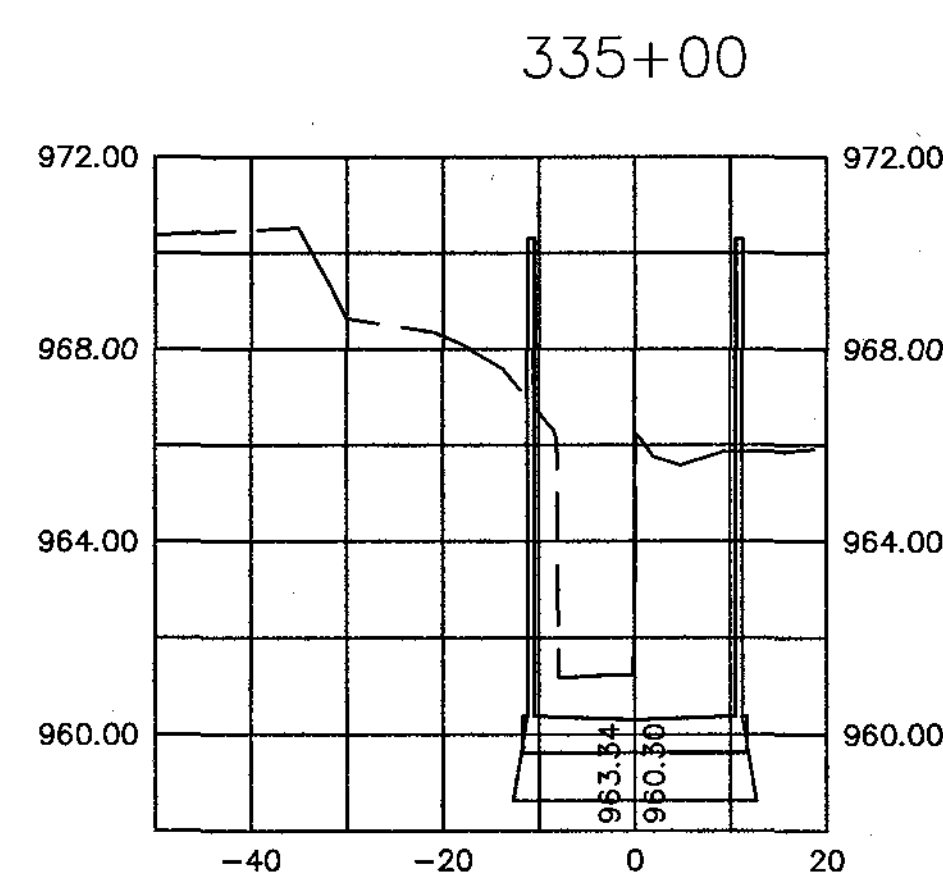
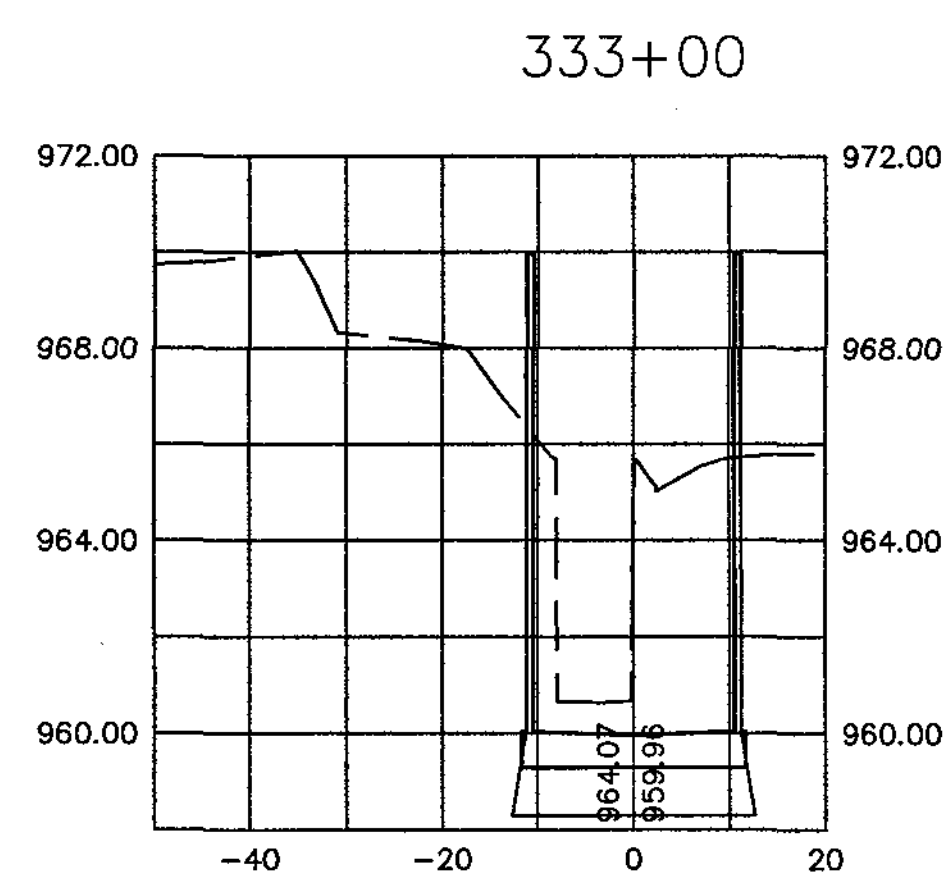
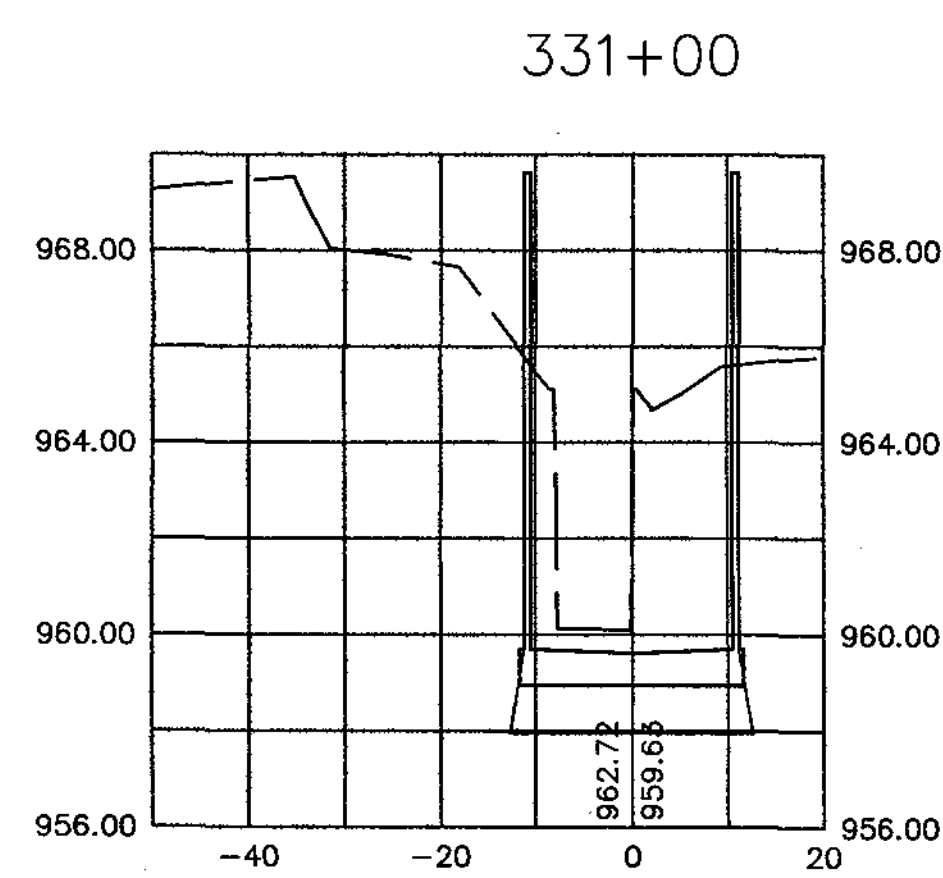
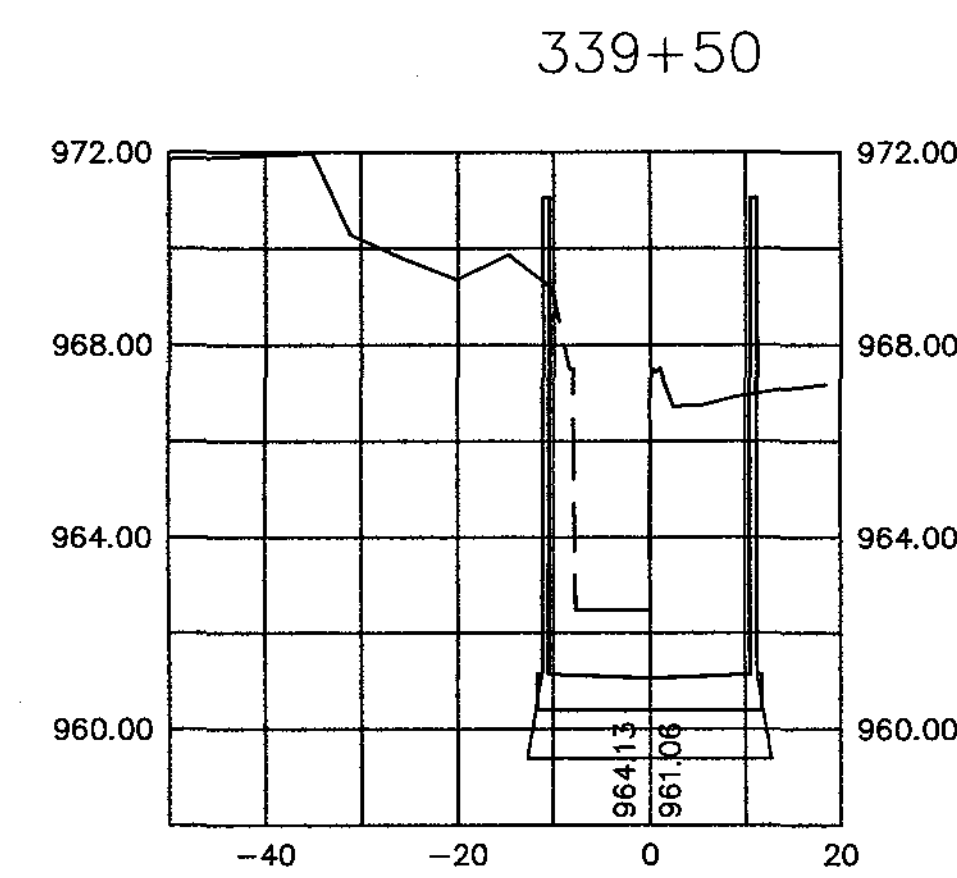
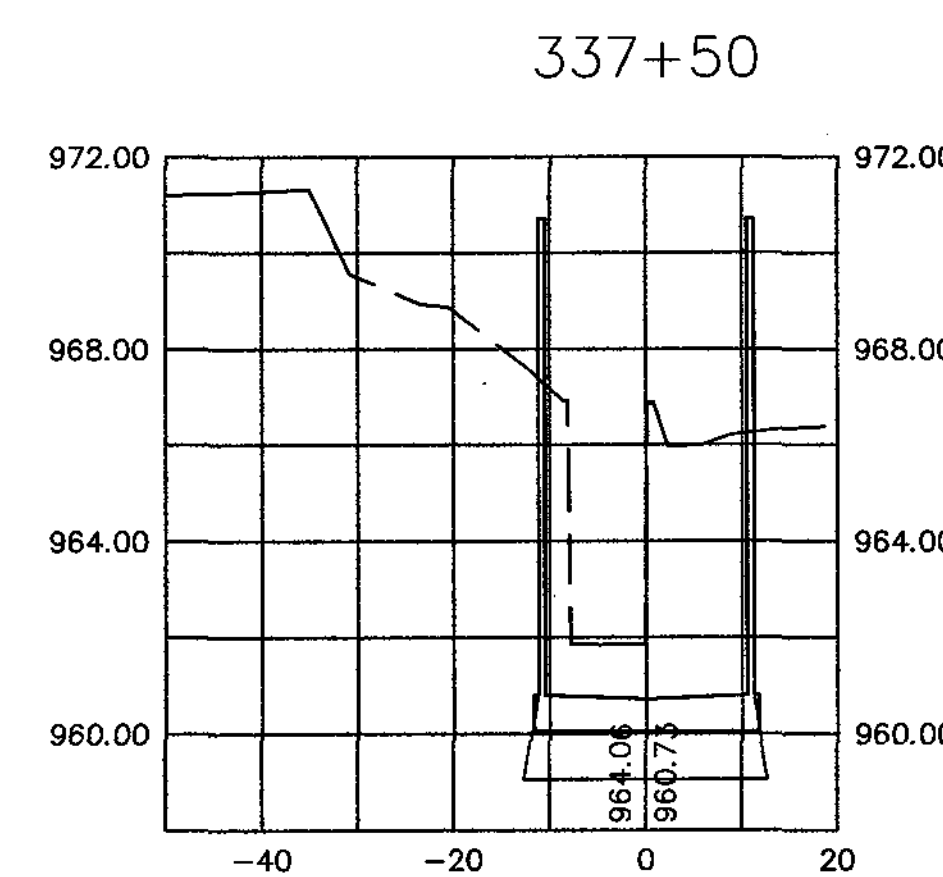
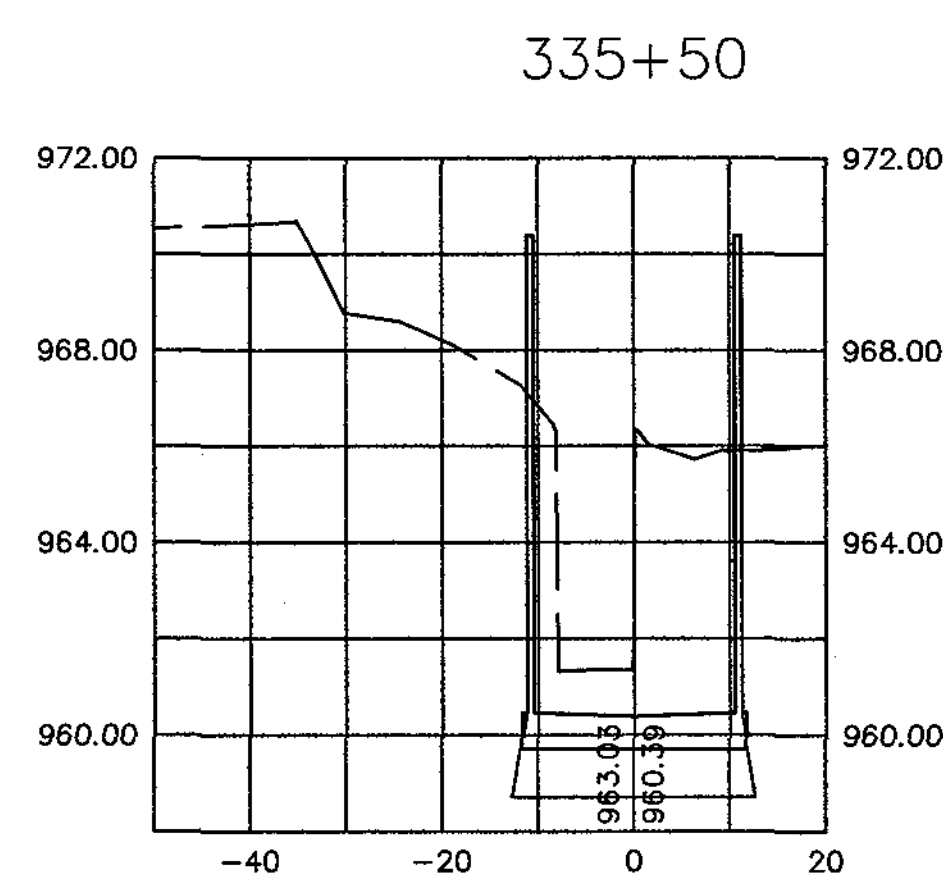
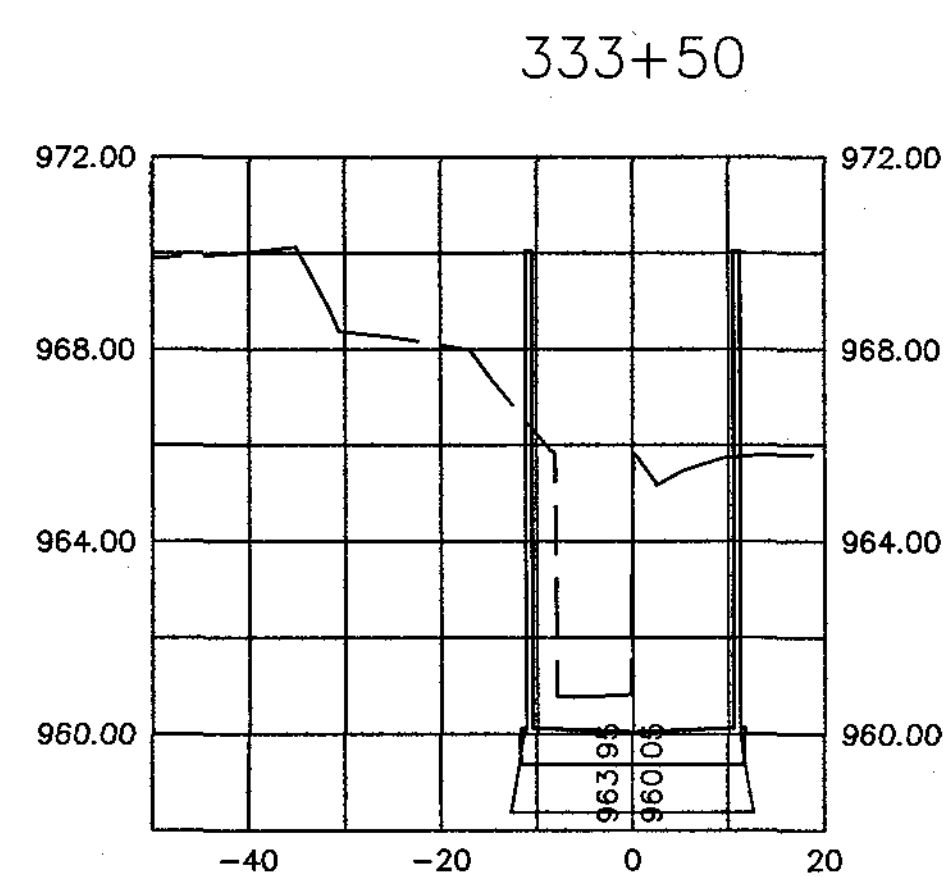
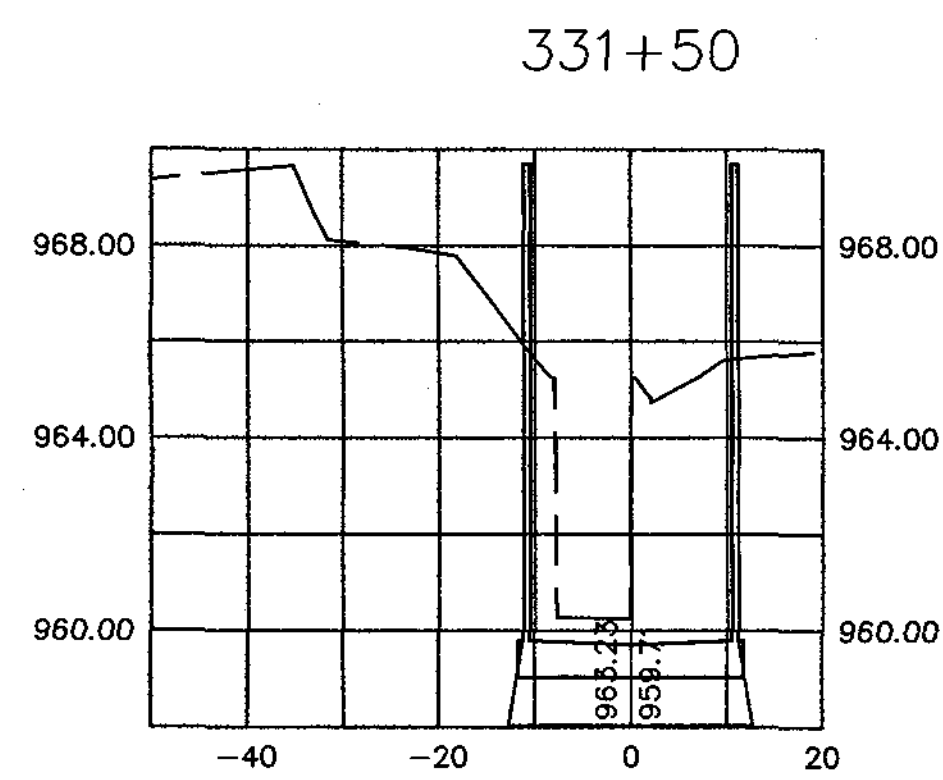
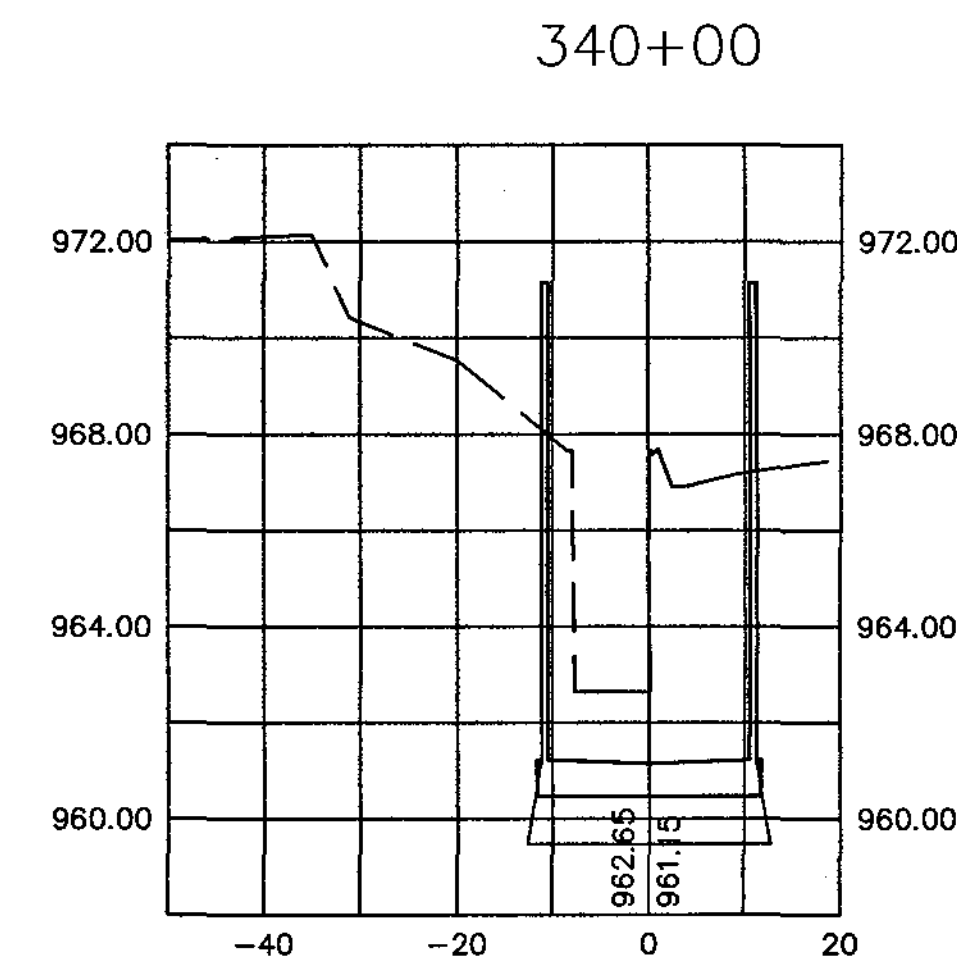
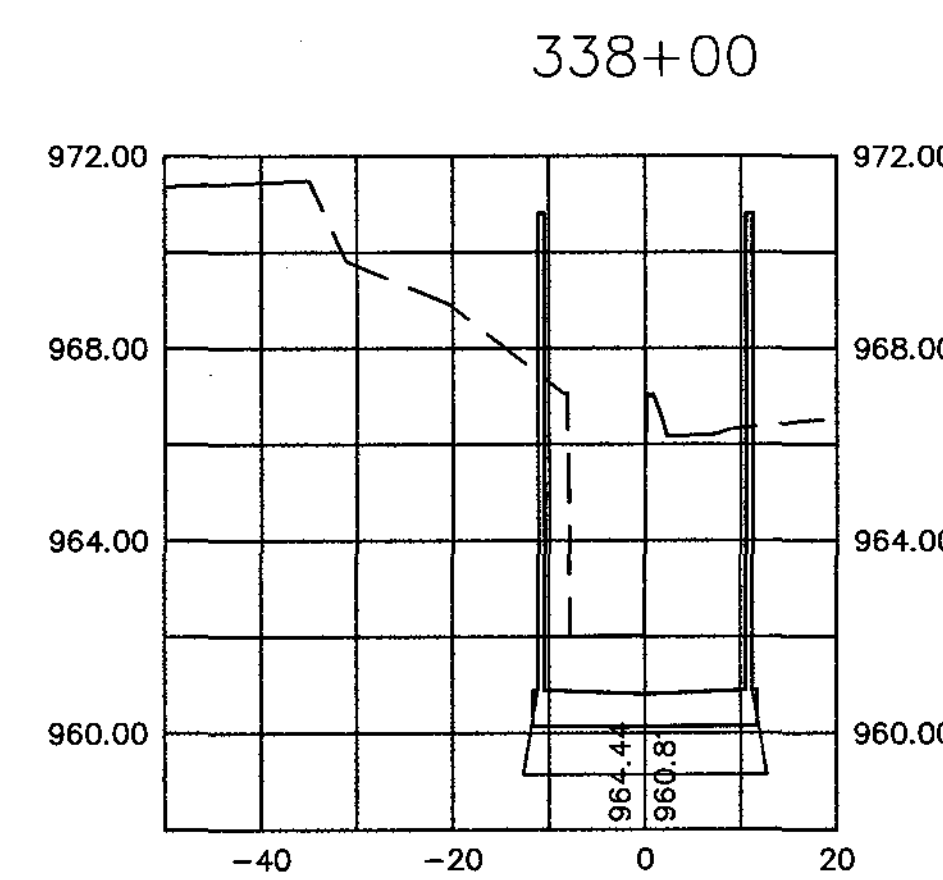
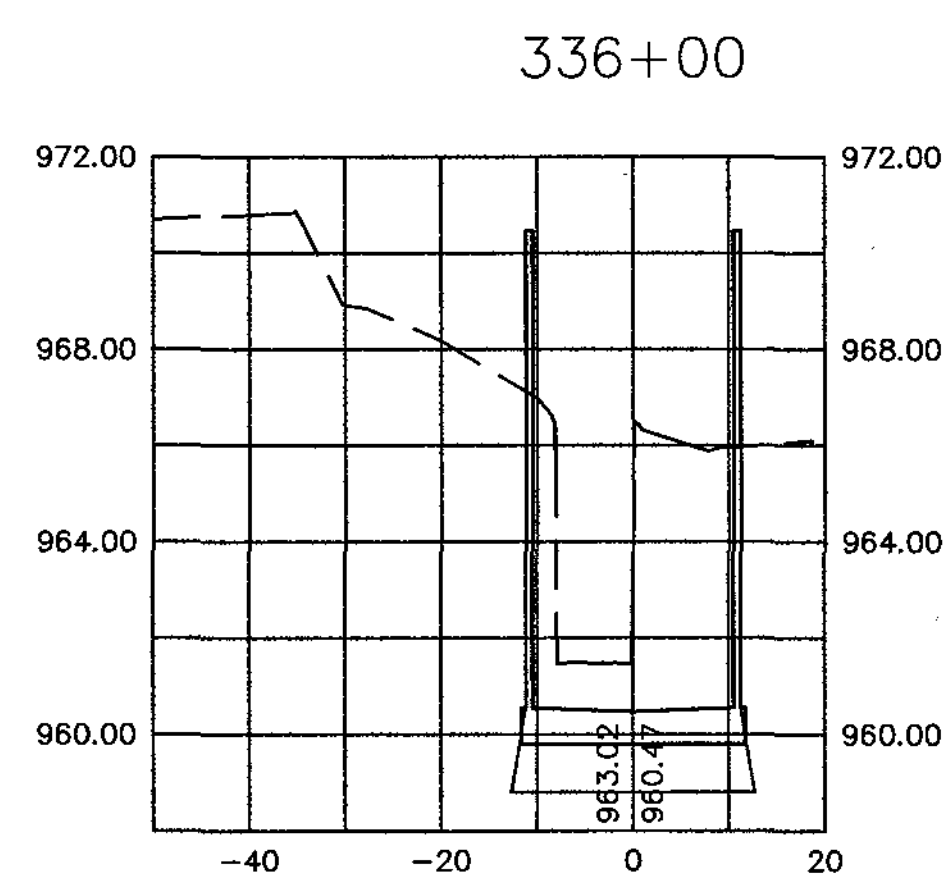
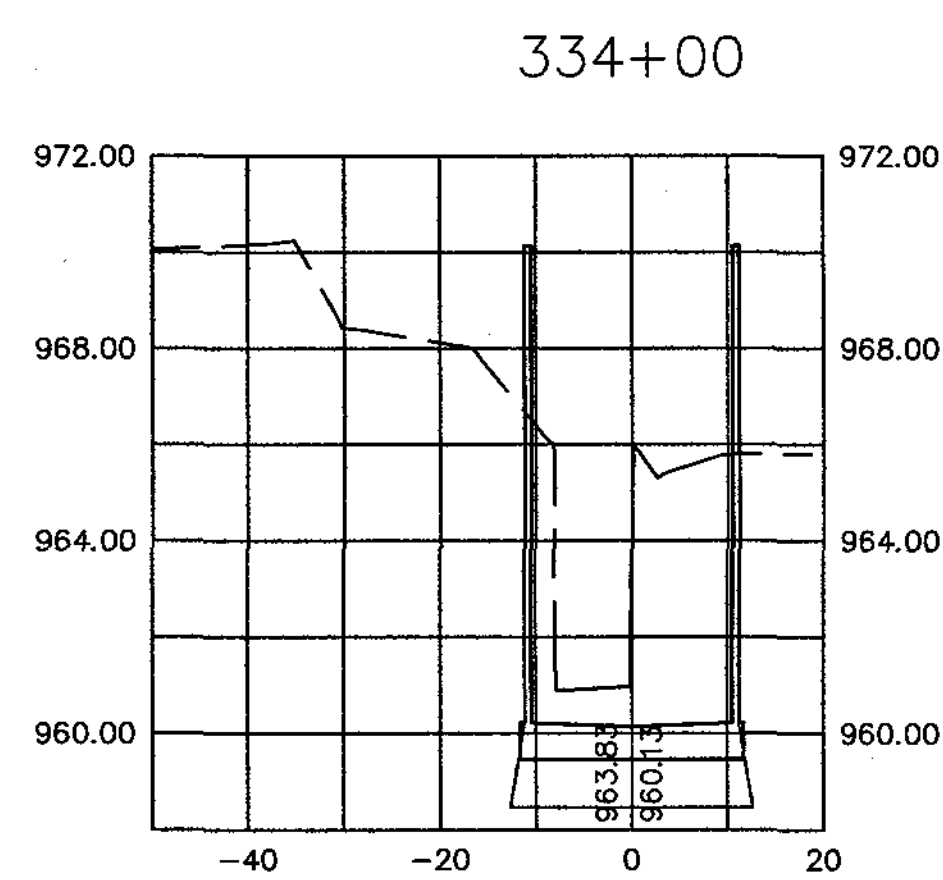
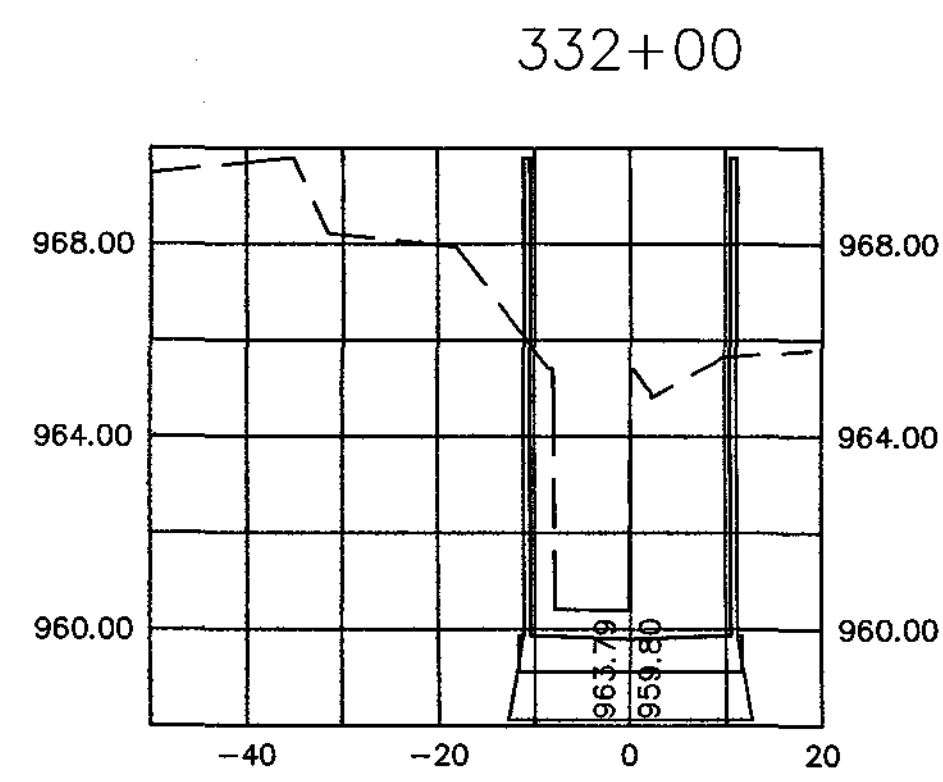
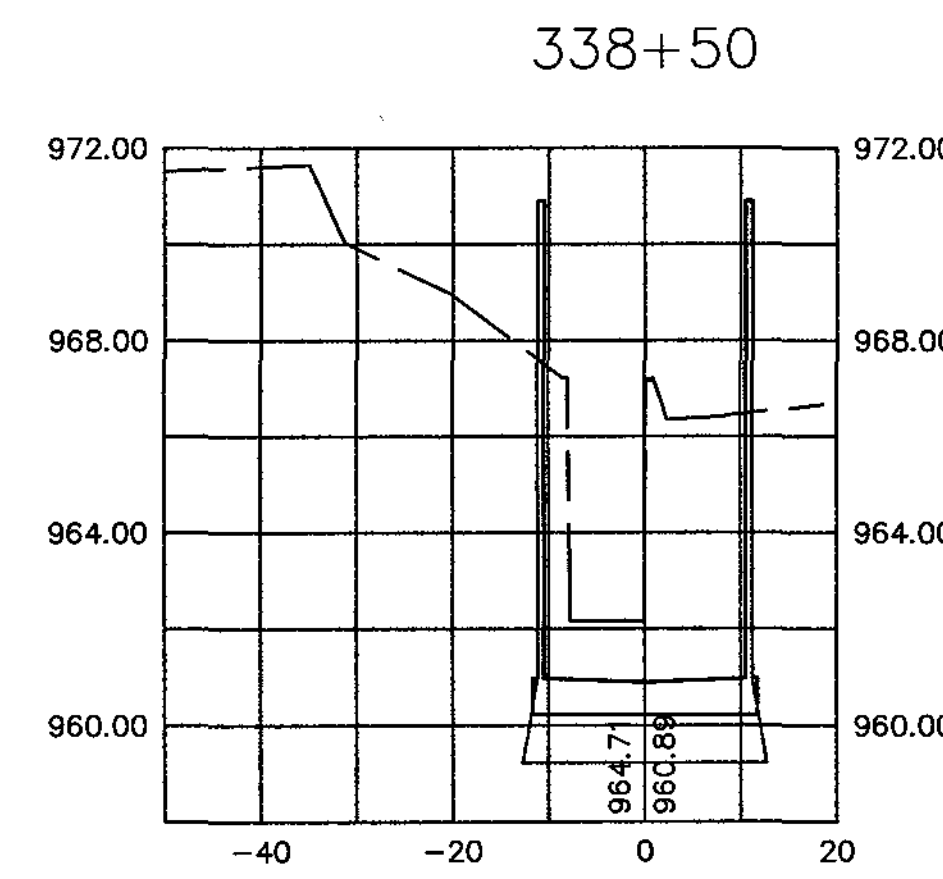
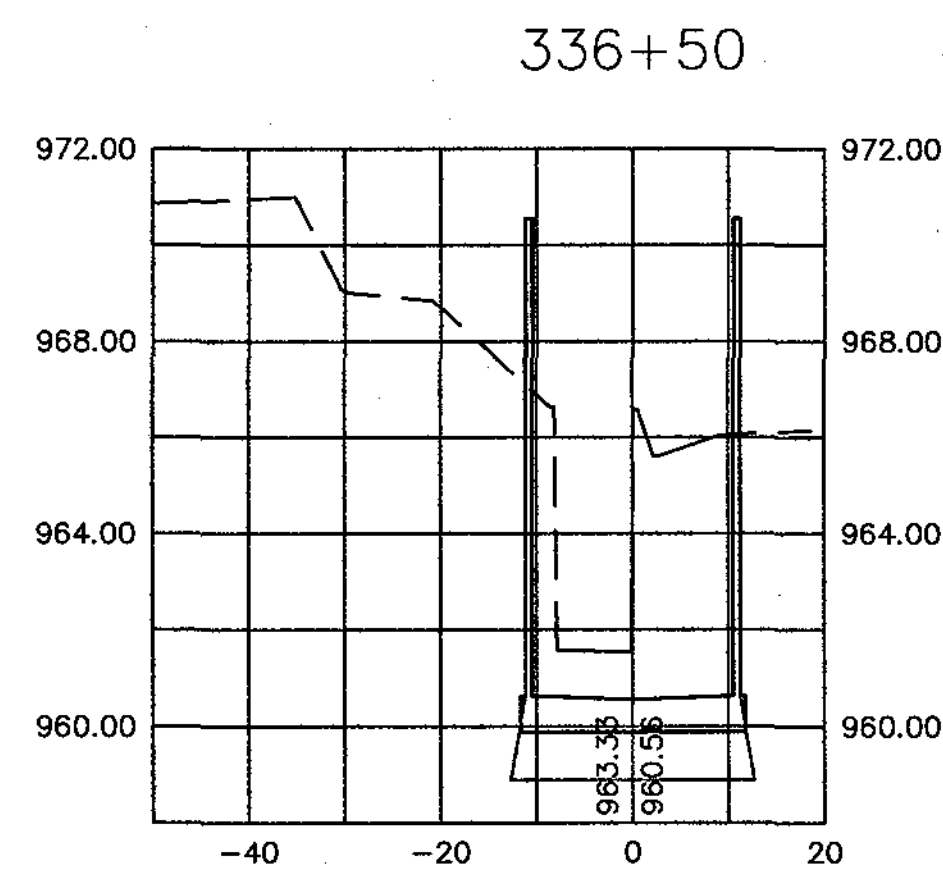
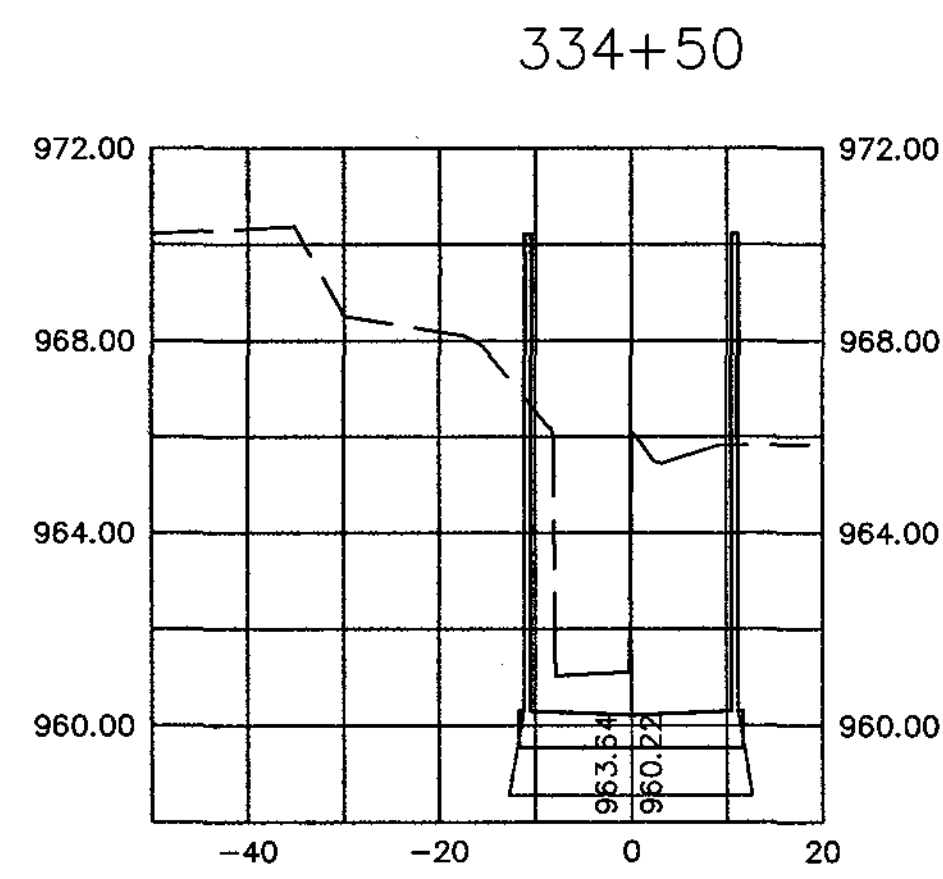
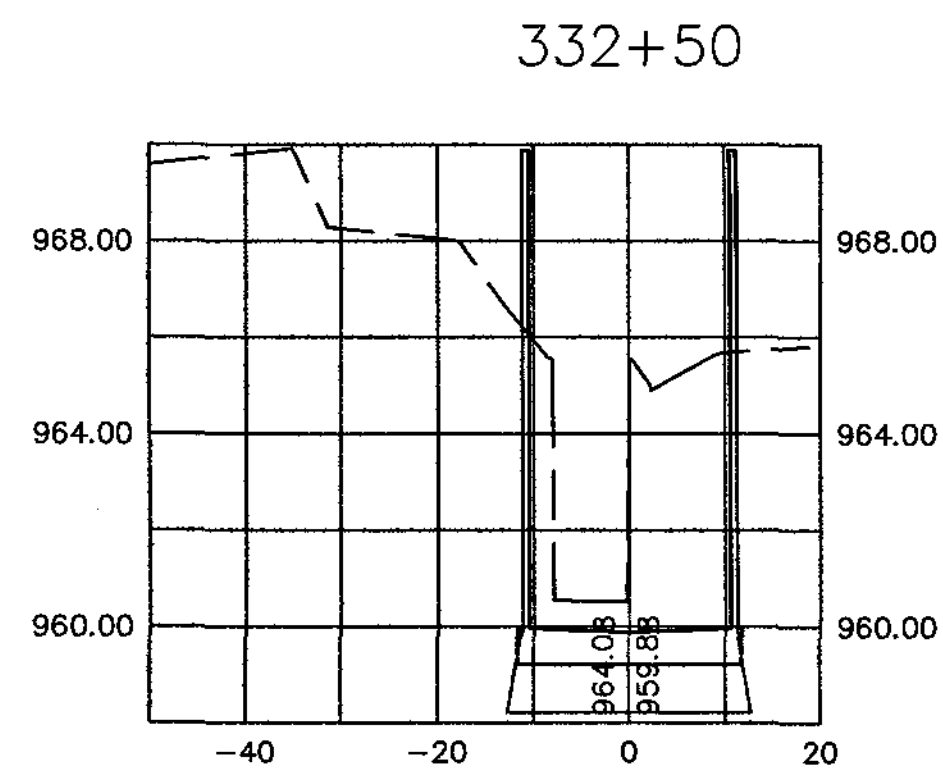
329+00

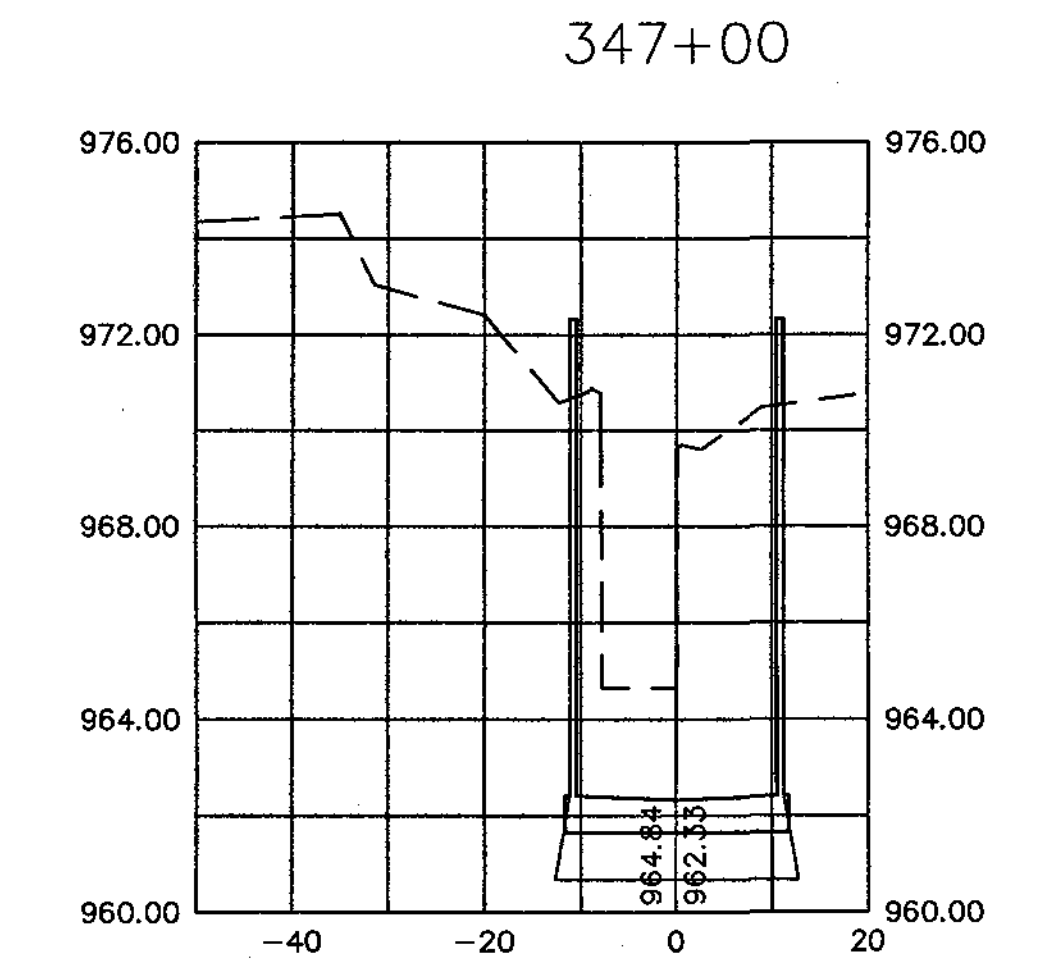
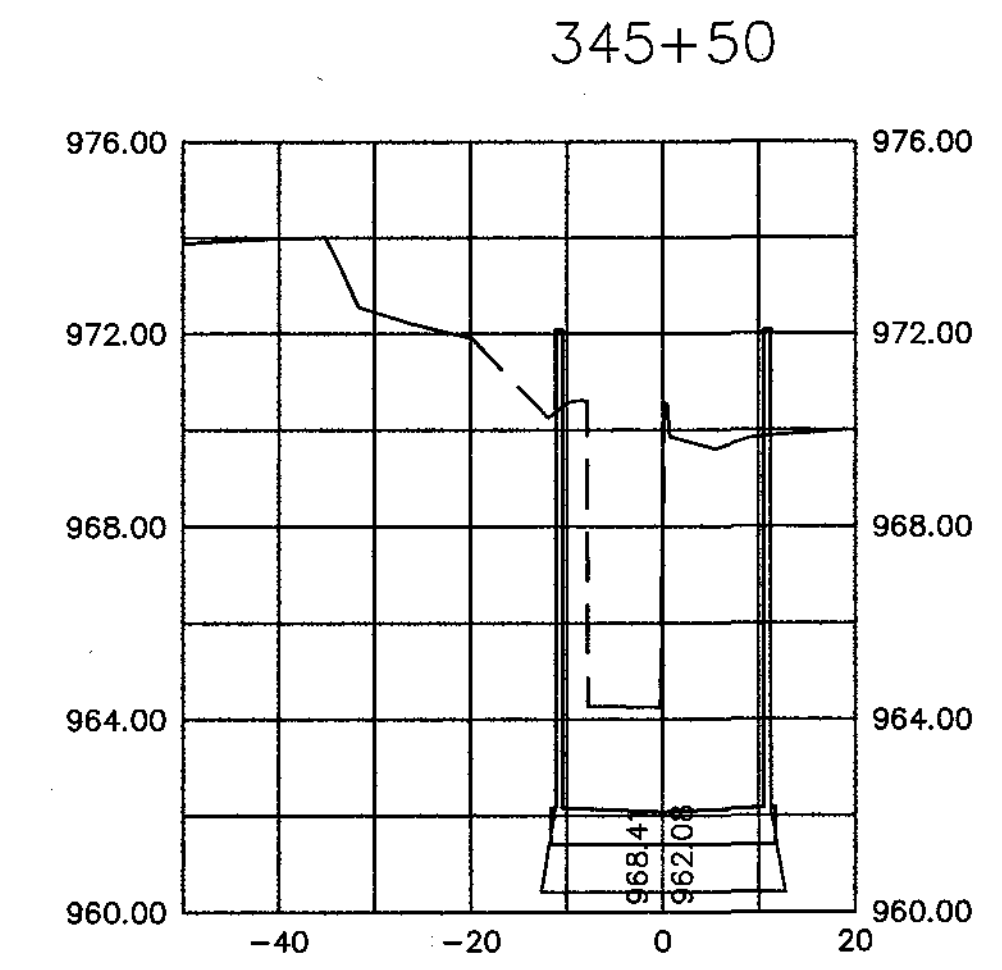
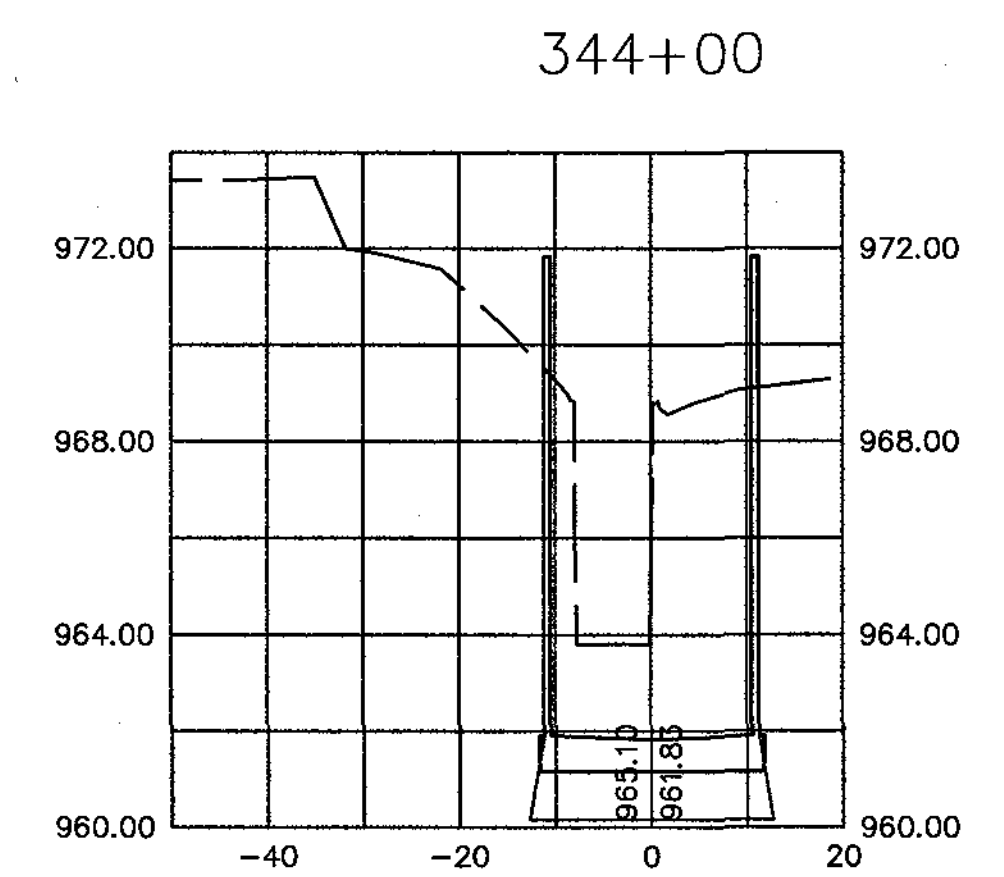
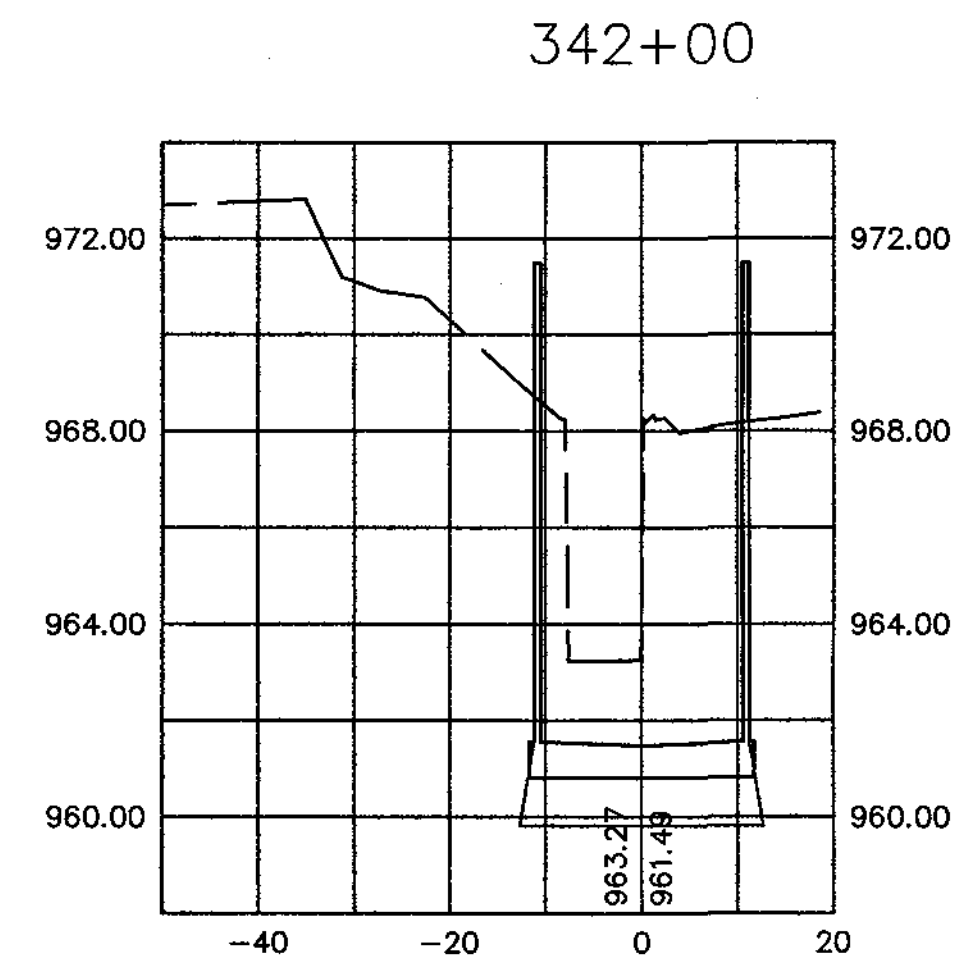
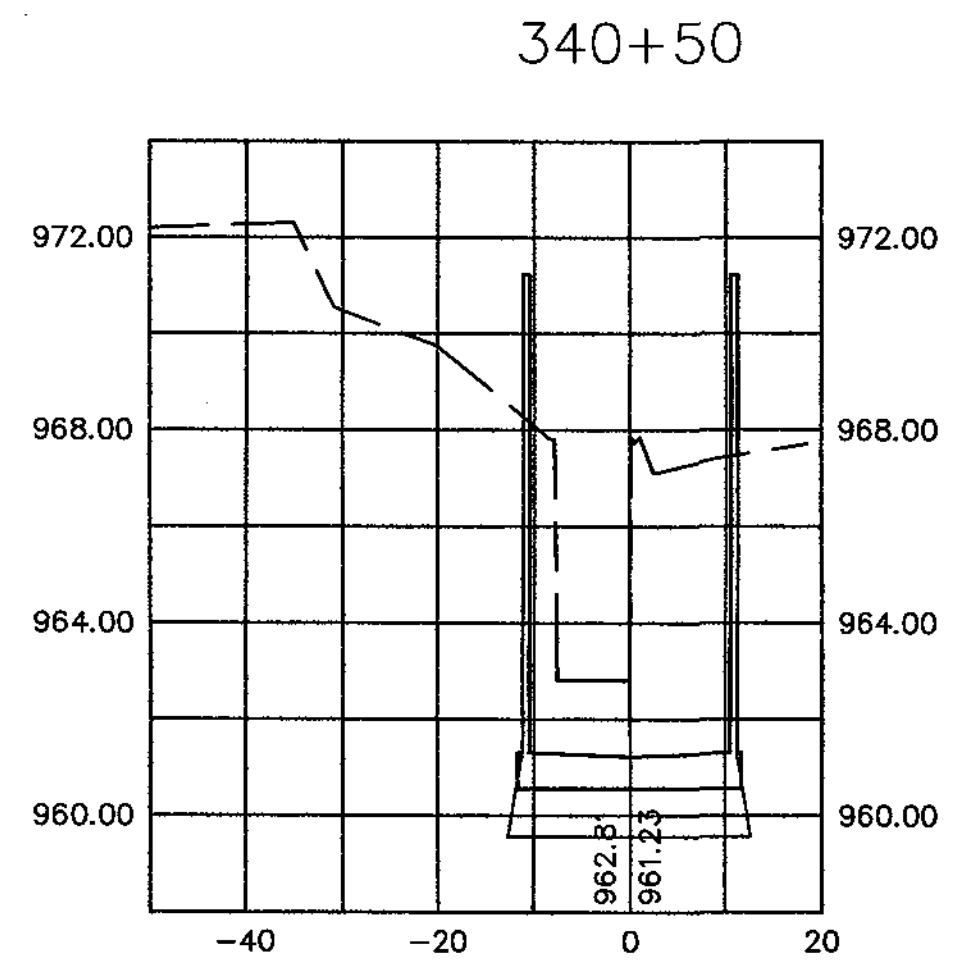
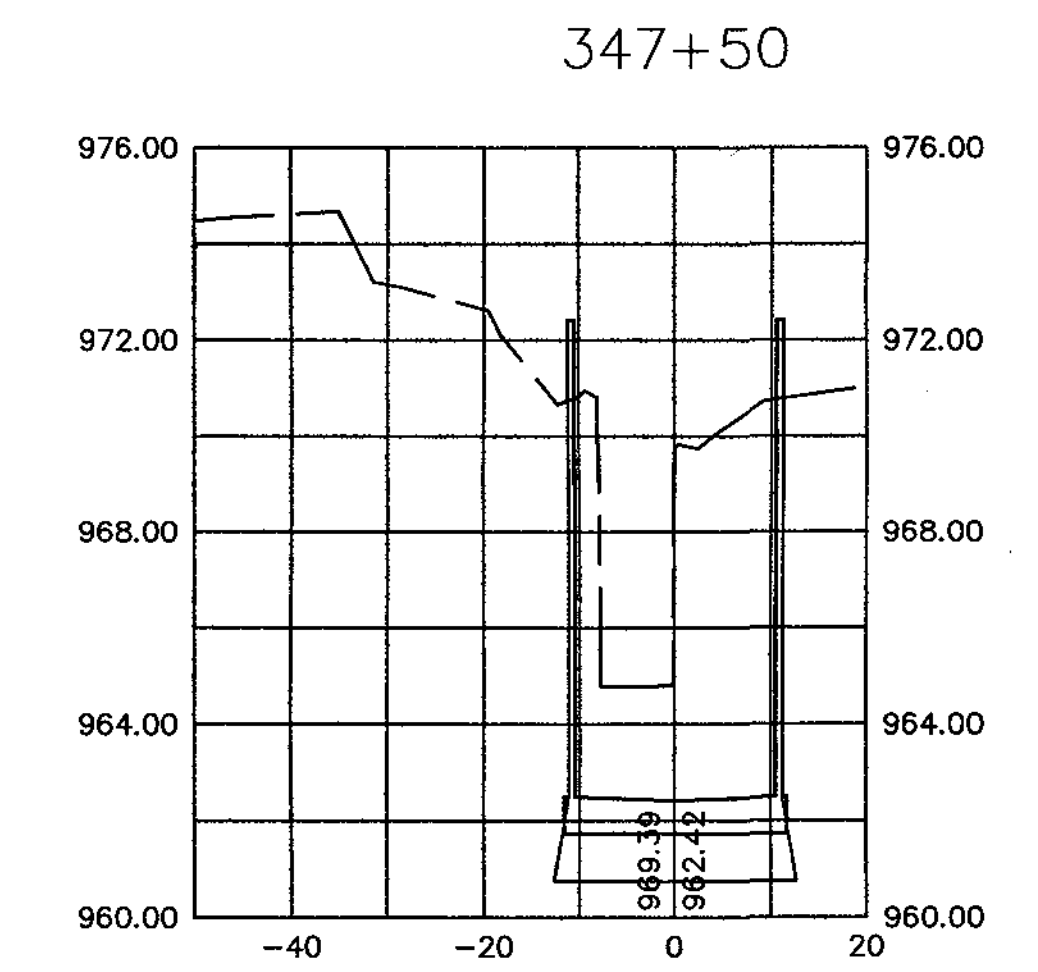
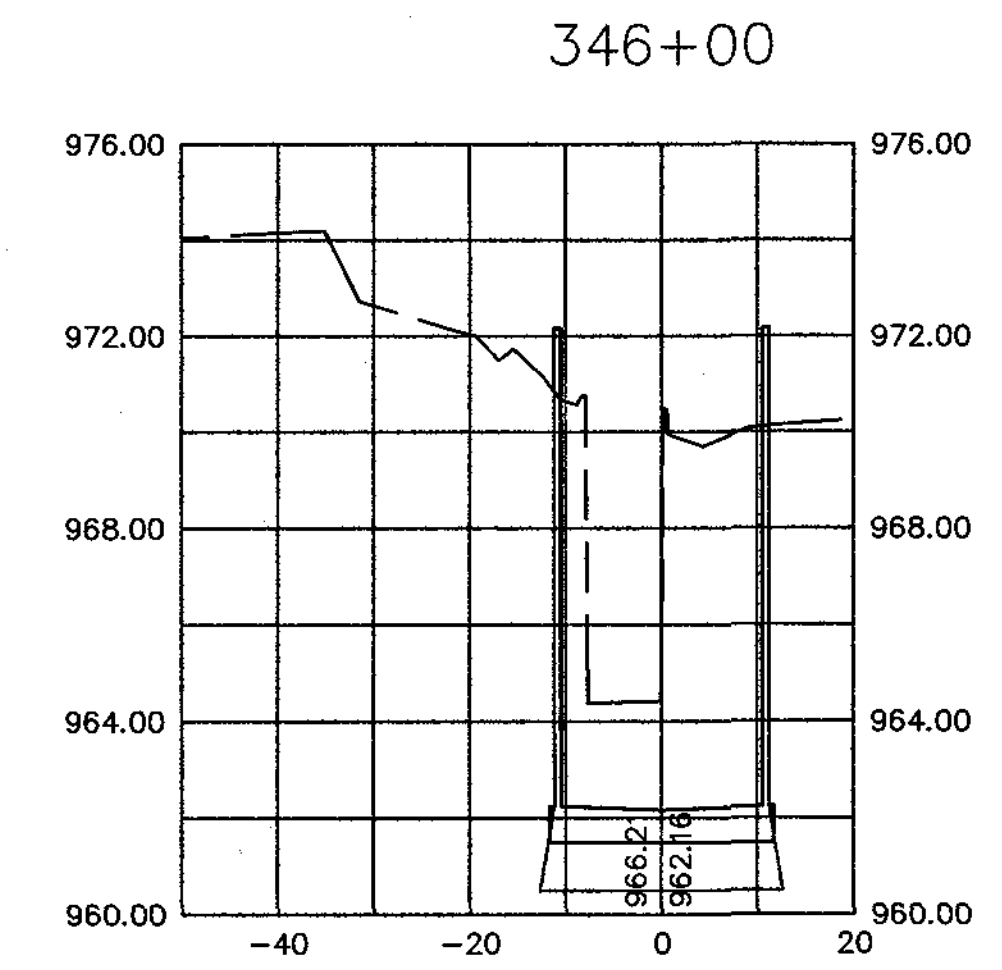
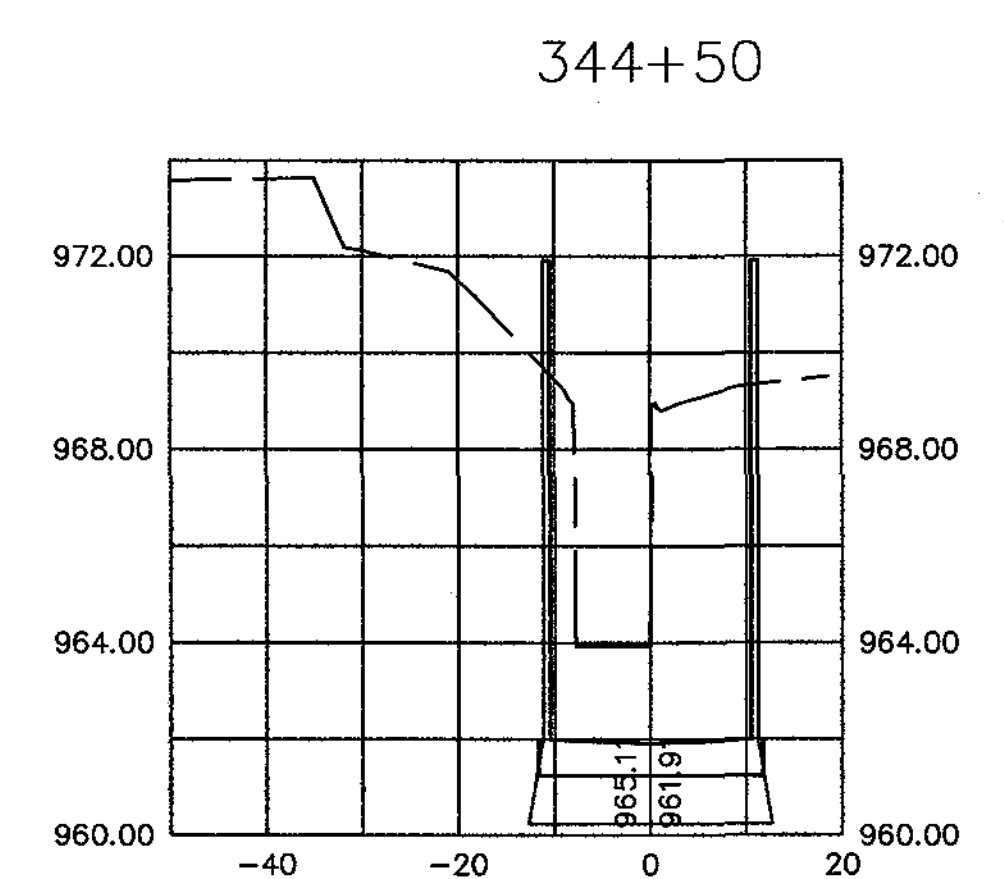
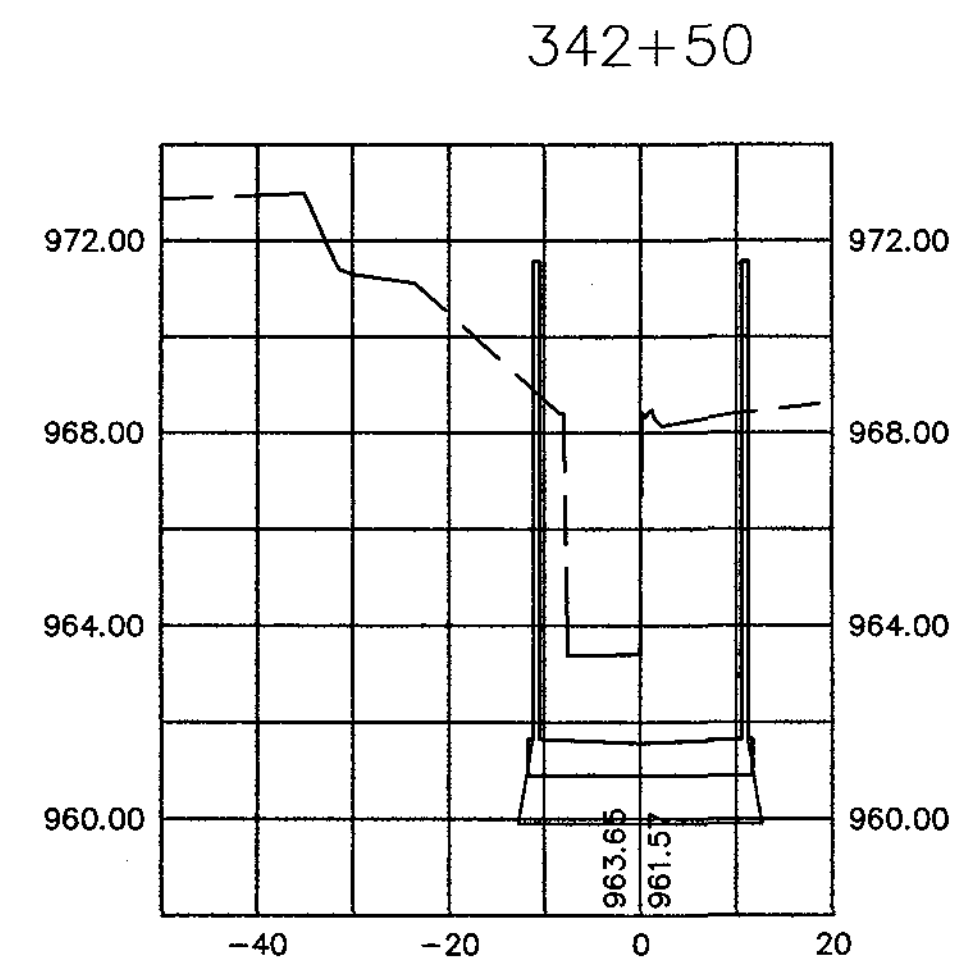
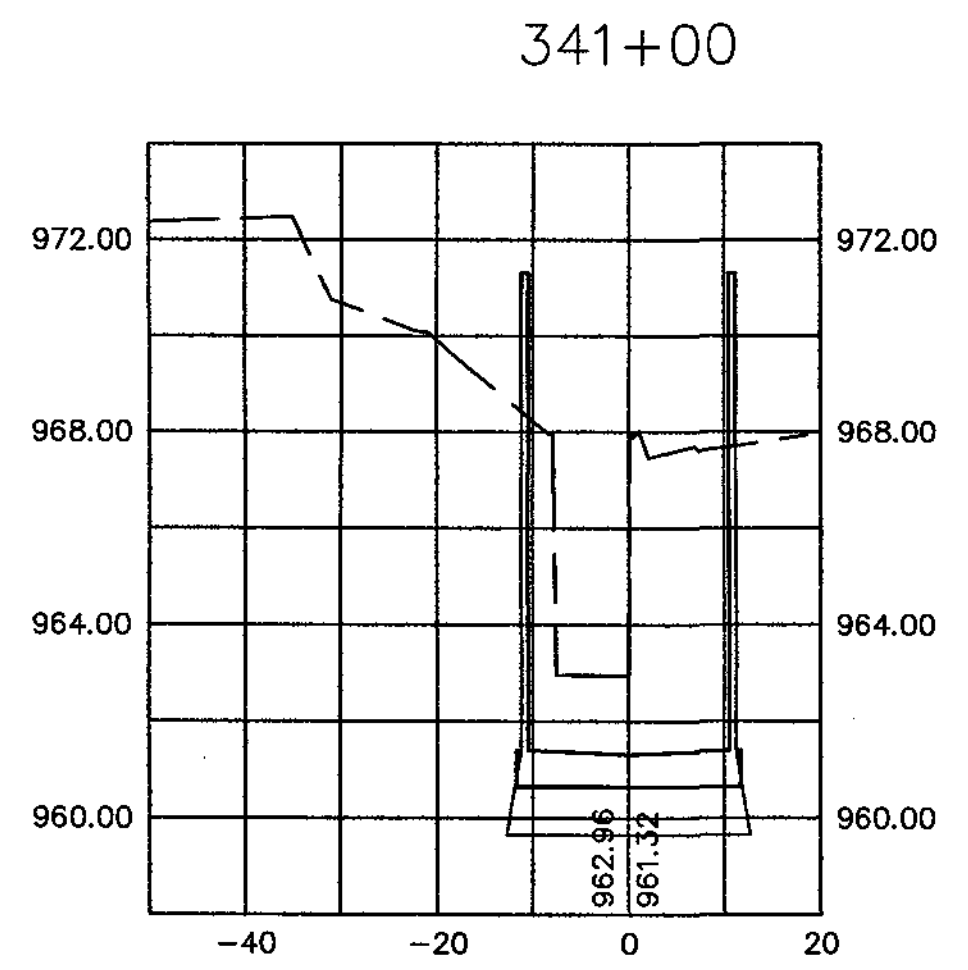
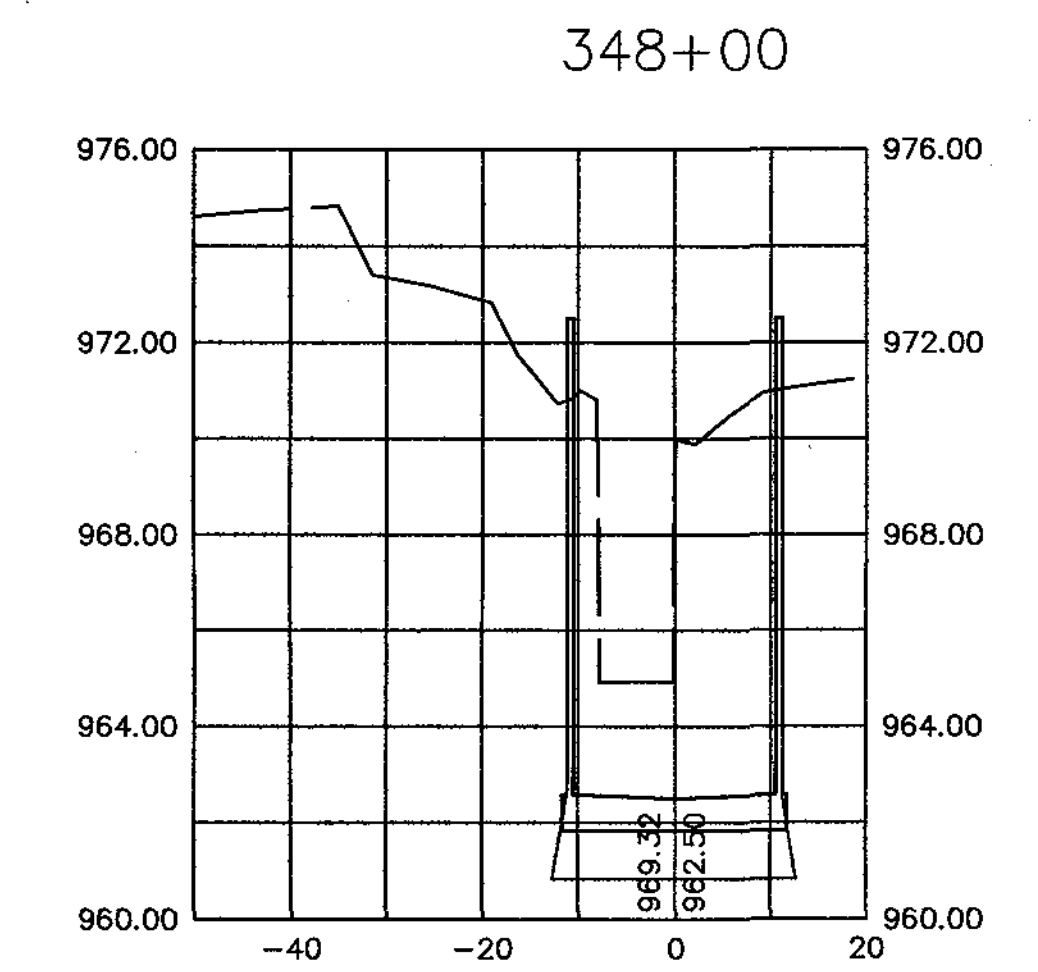
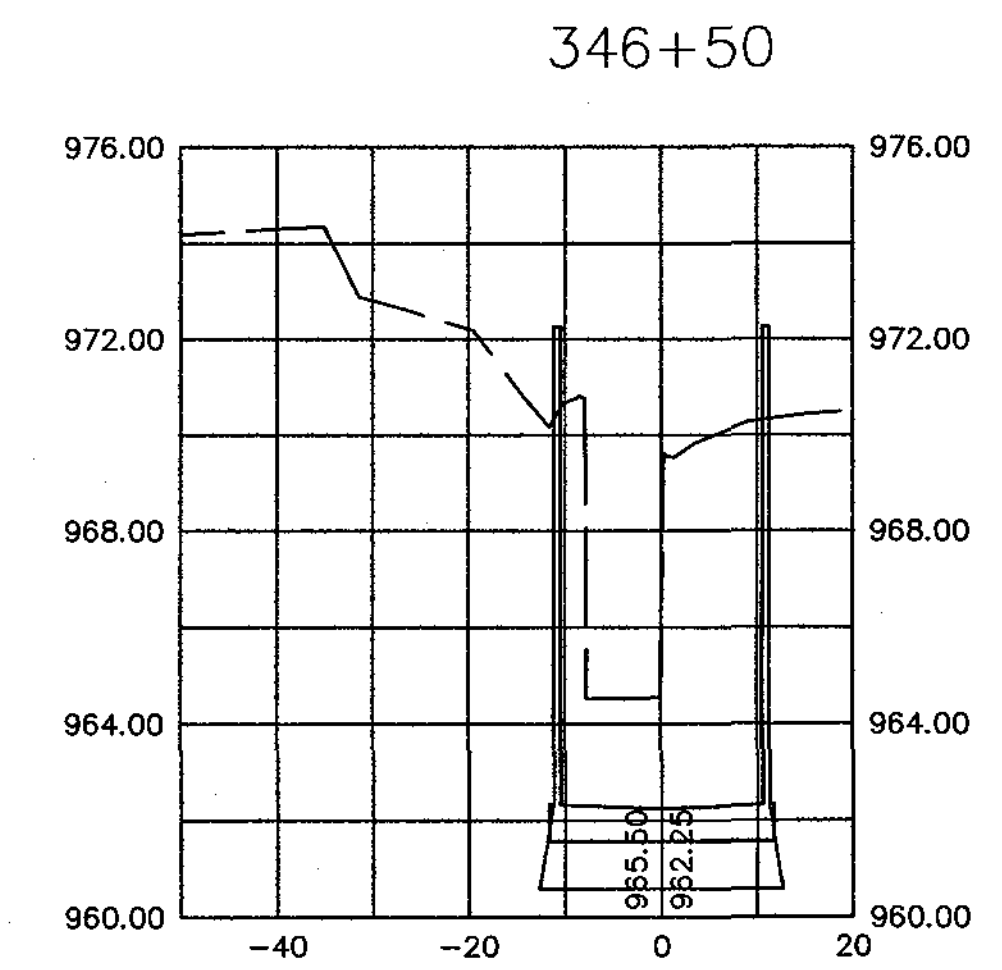
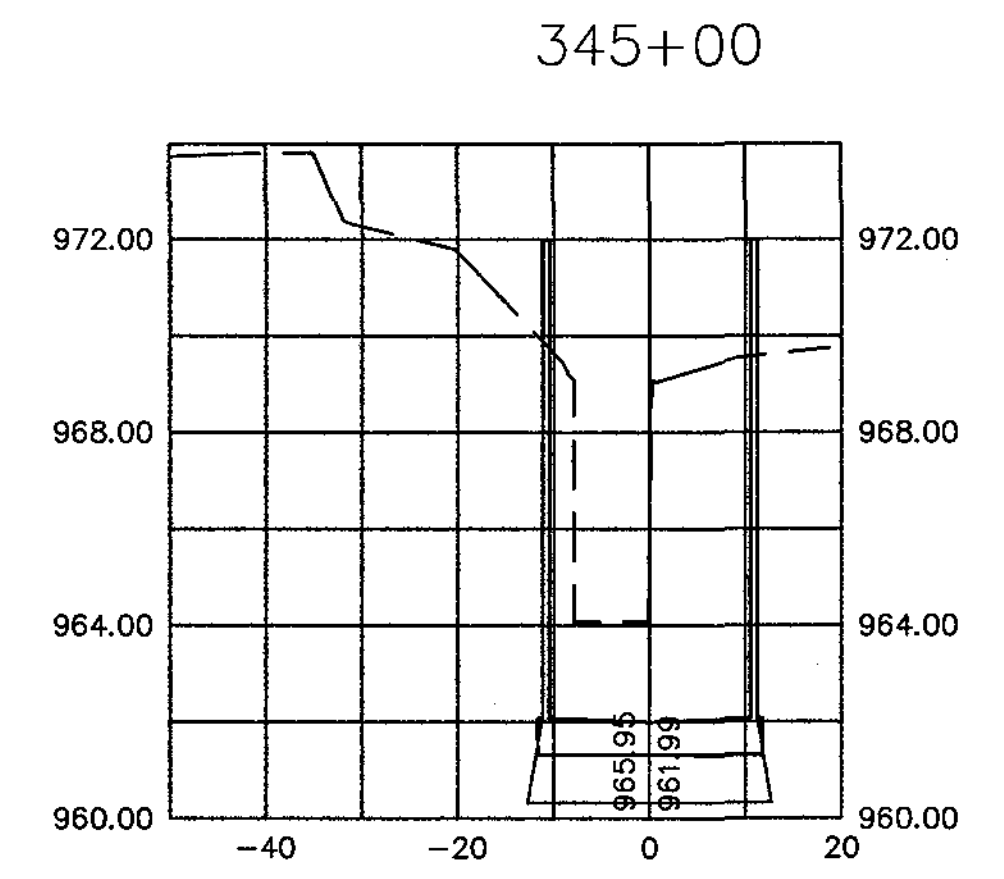
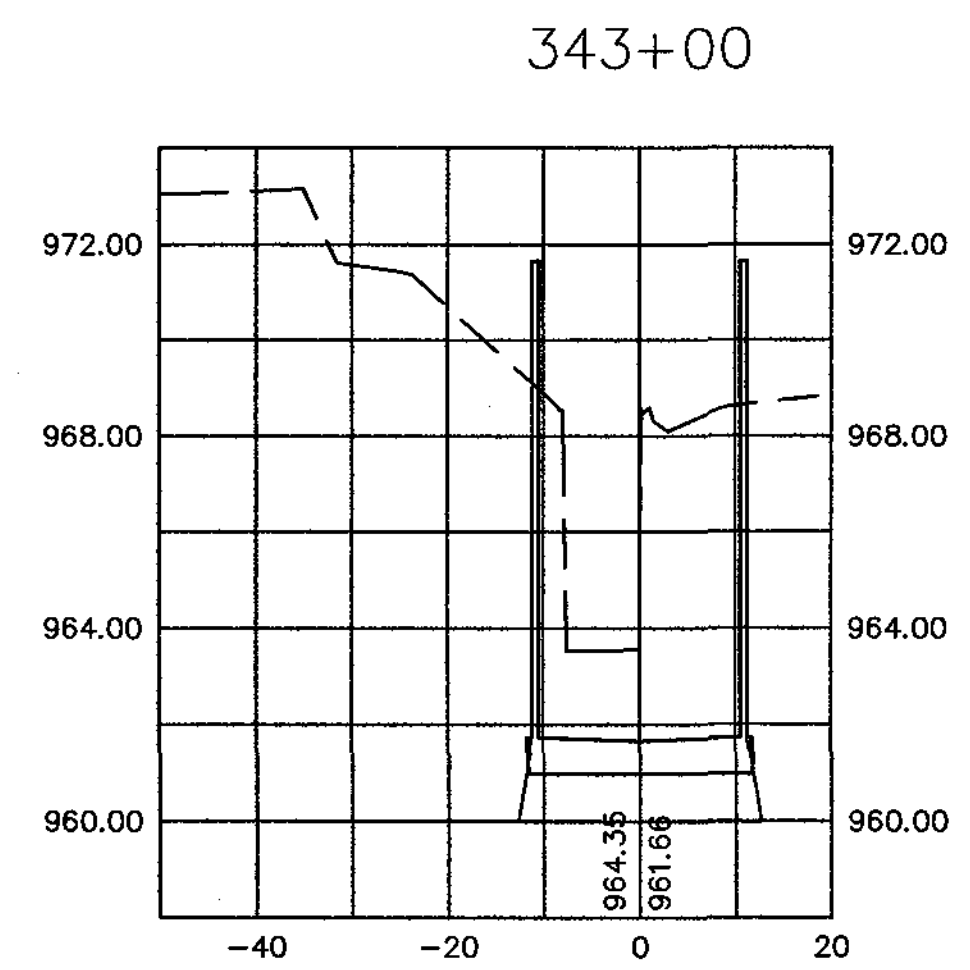
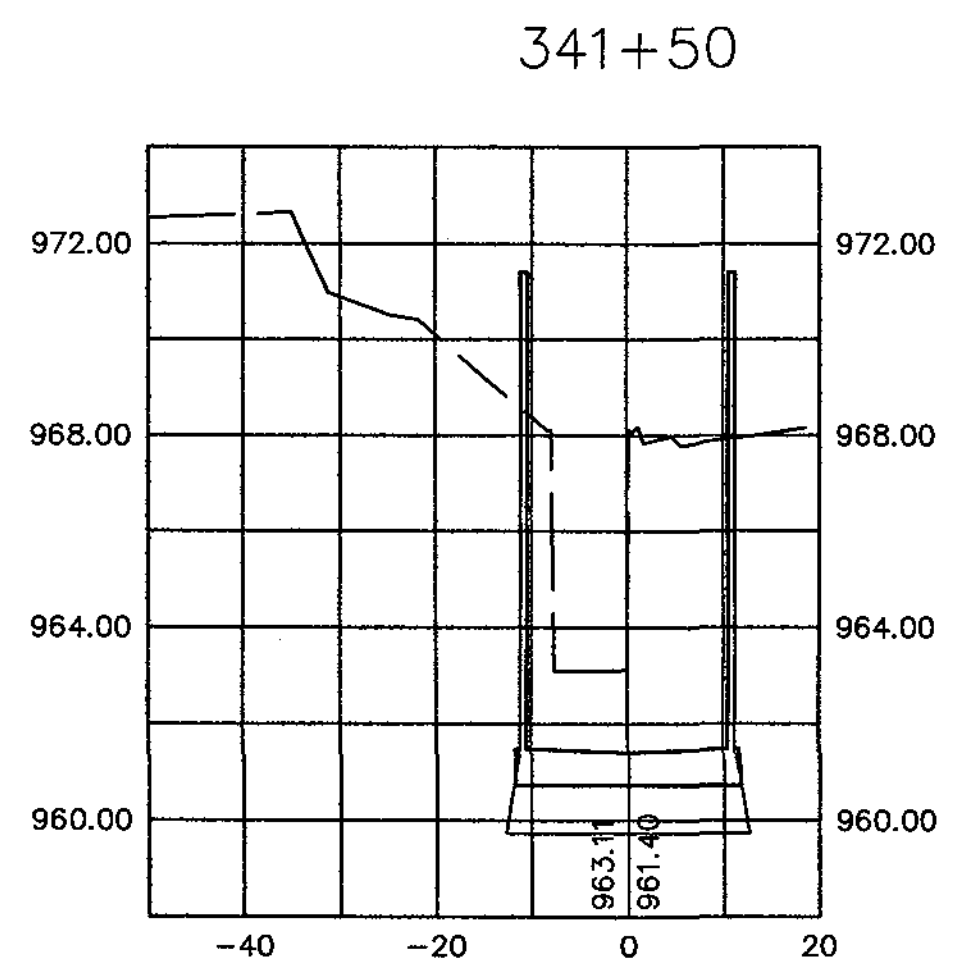


CROSS SECTIONS FOR WEST STATE STREET CHANNEL SEGMENT IIIB

P&D P&D Consultants
 999 Town & Country Rd, 4th Floor
 Orange, CA 92868
 Phone: (714) 835-4447

HORIZ. SCALE 1"=20'
VERT. SCALE 1"=4'



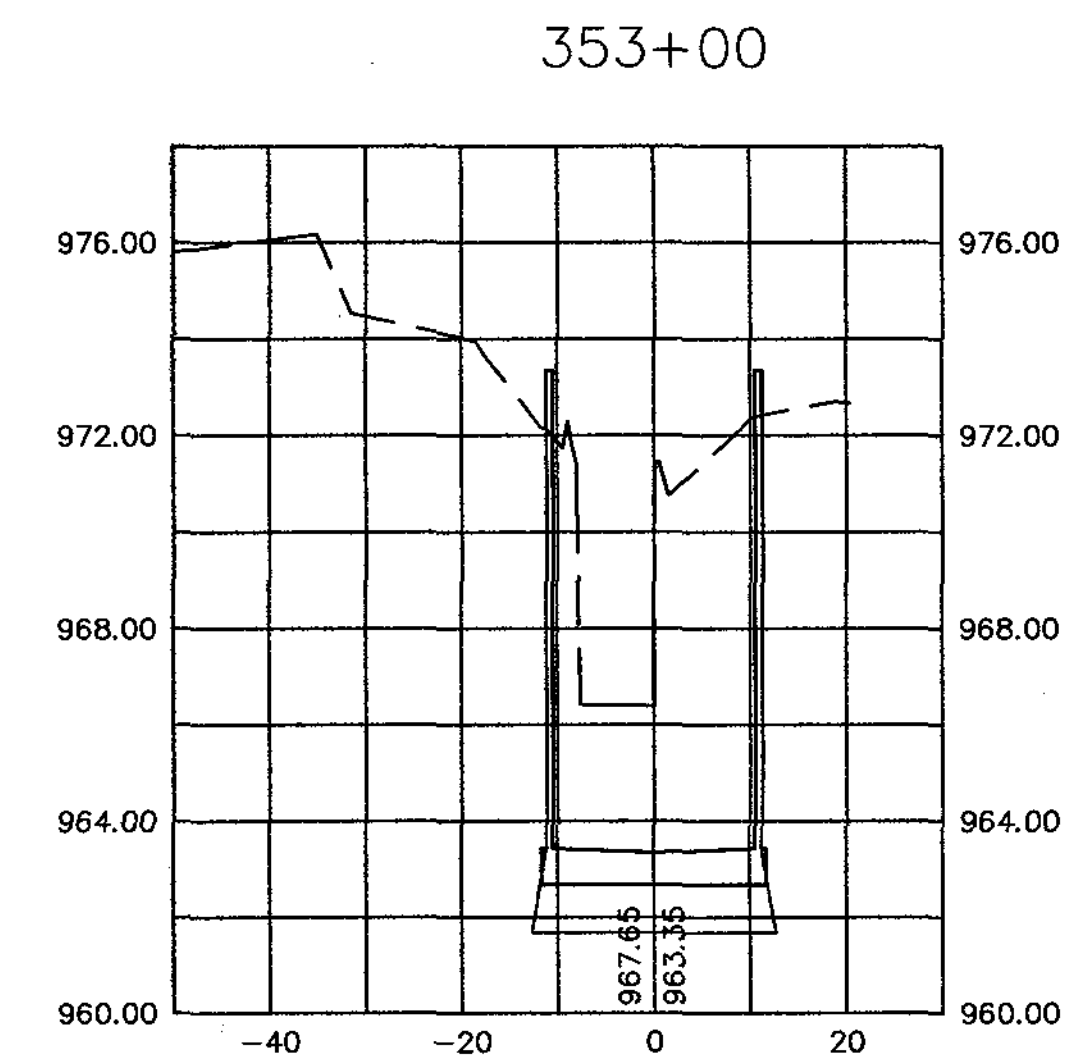
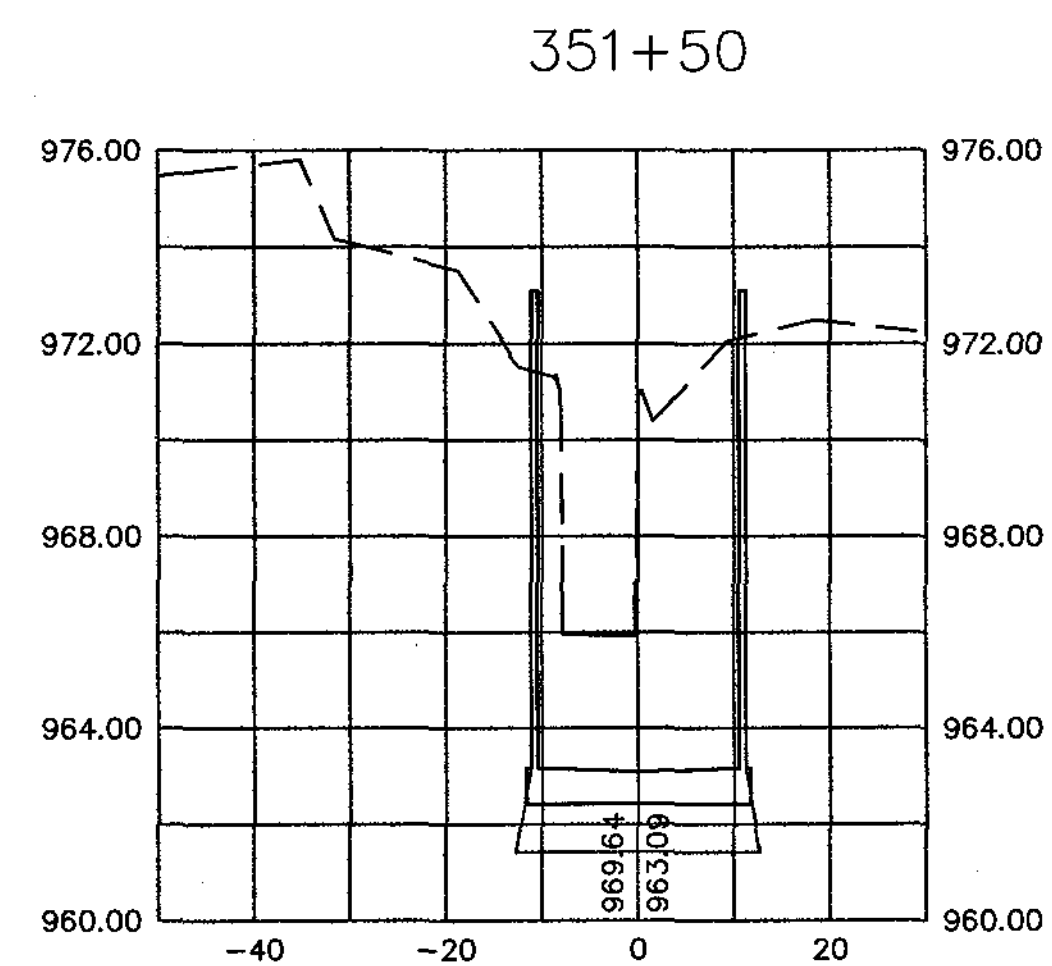
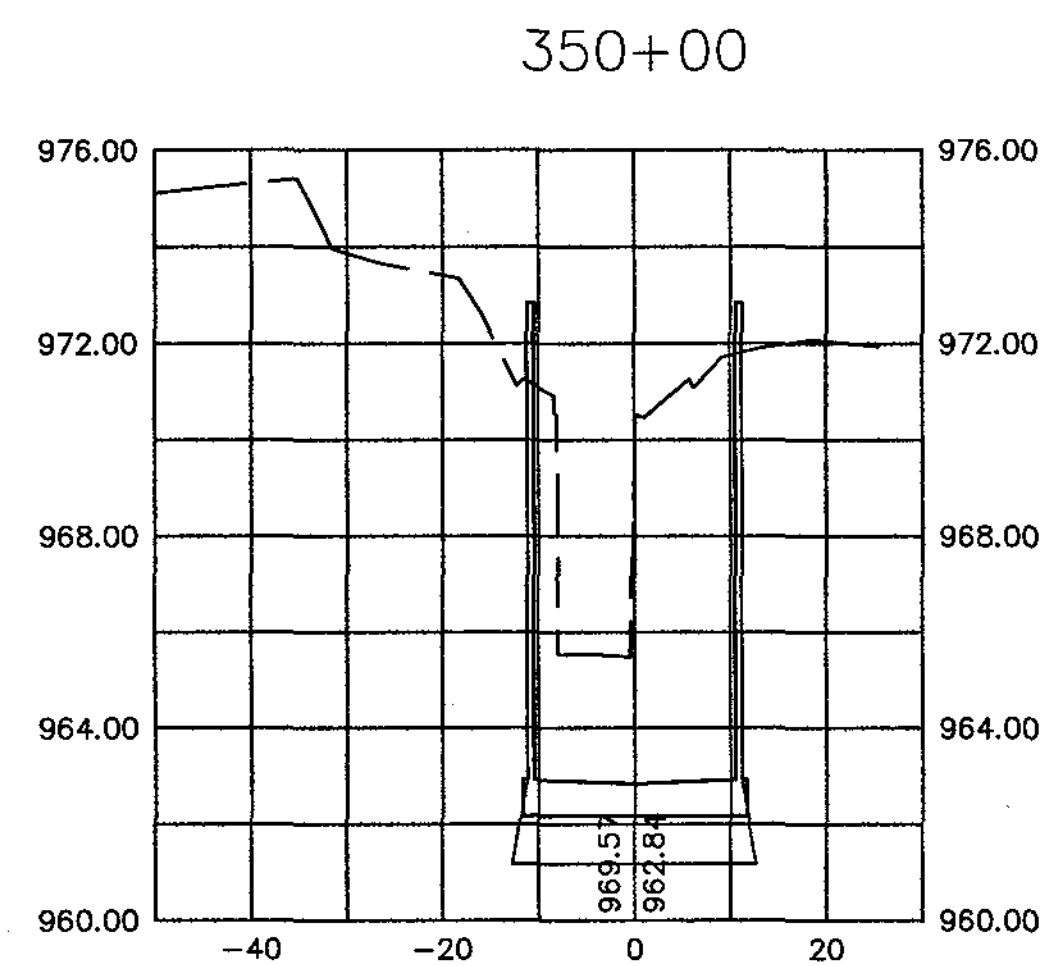
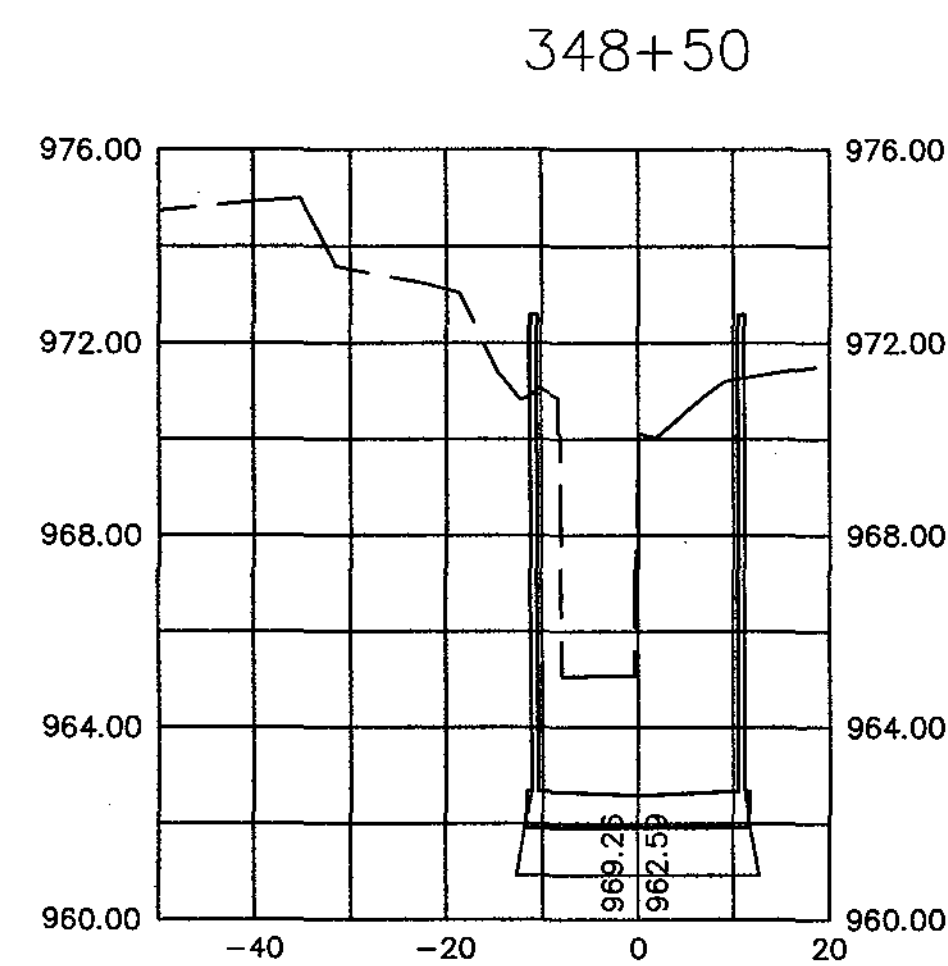
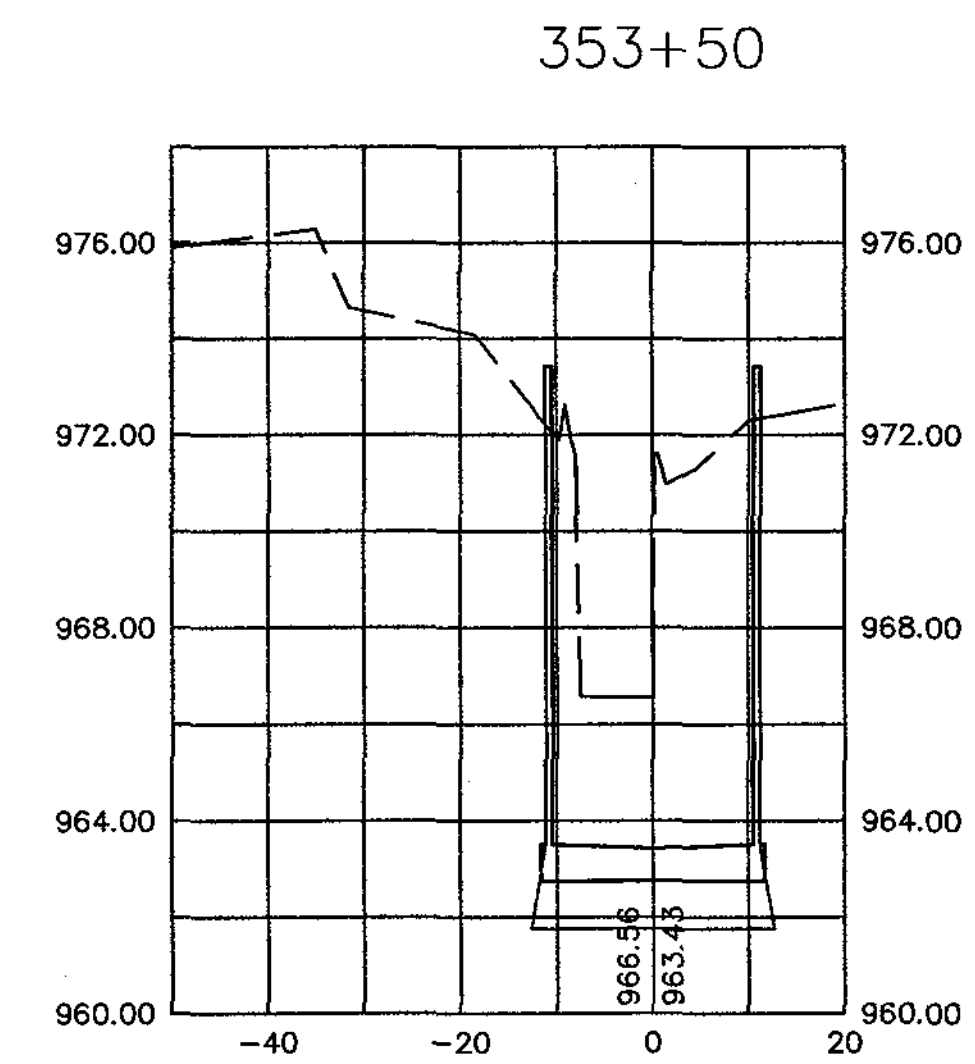
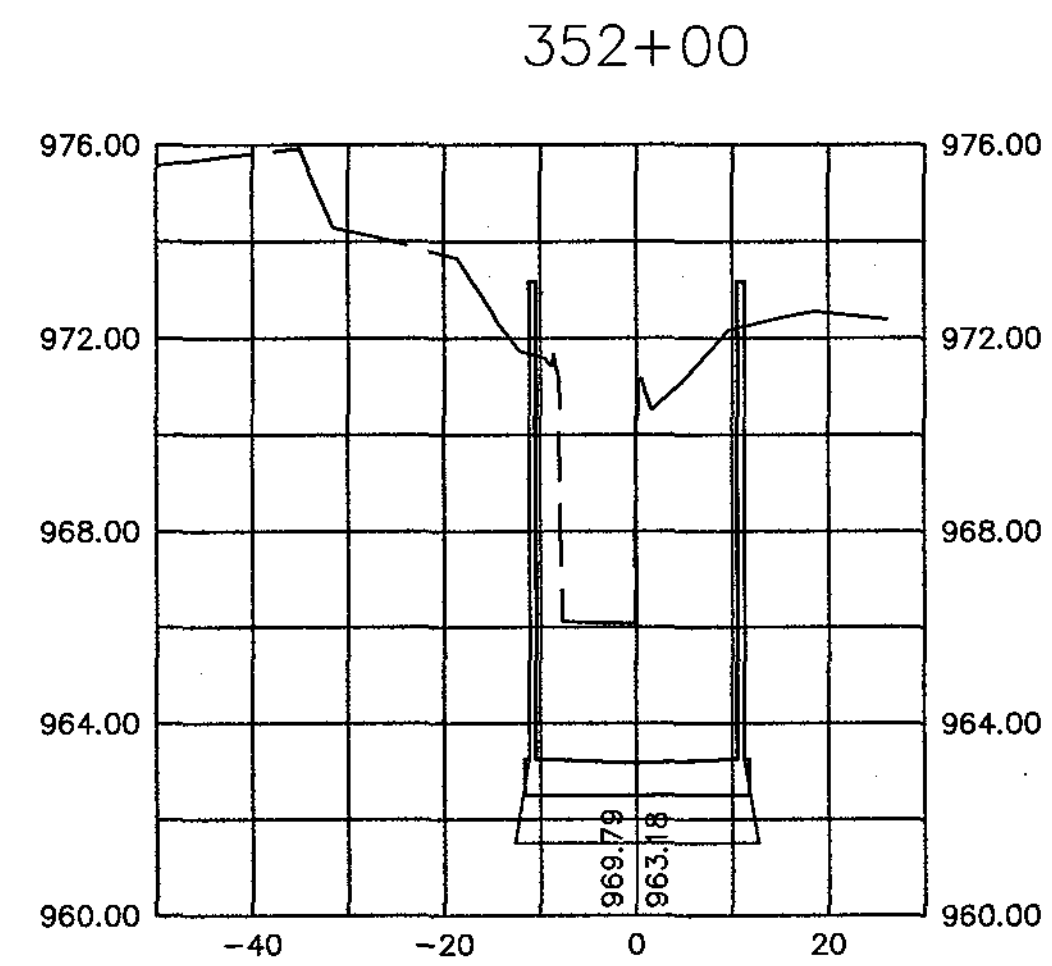
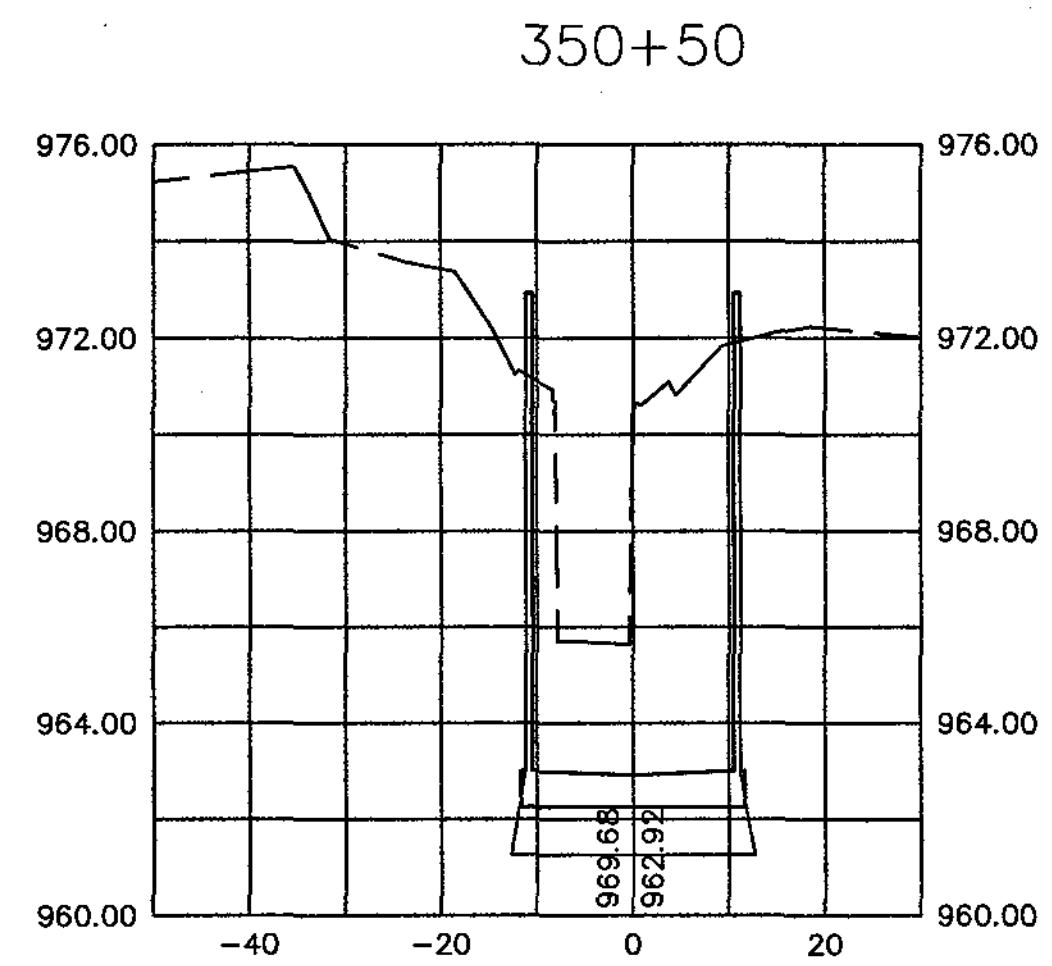
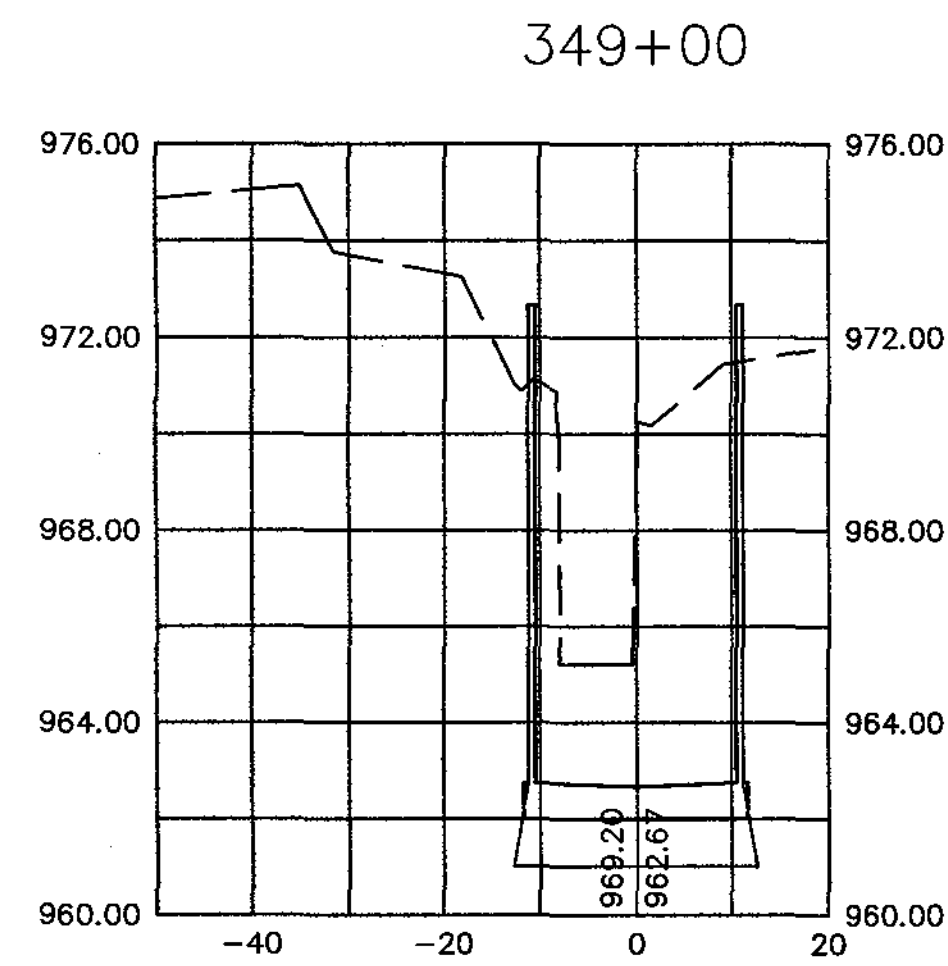
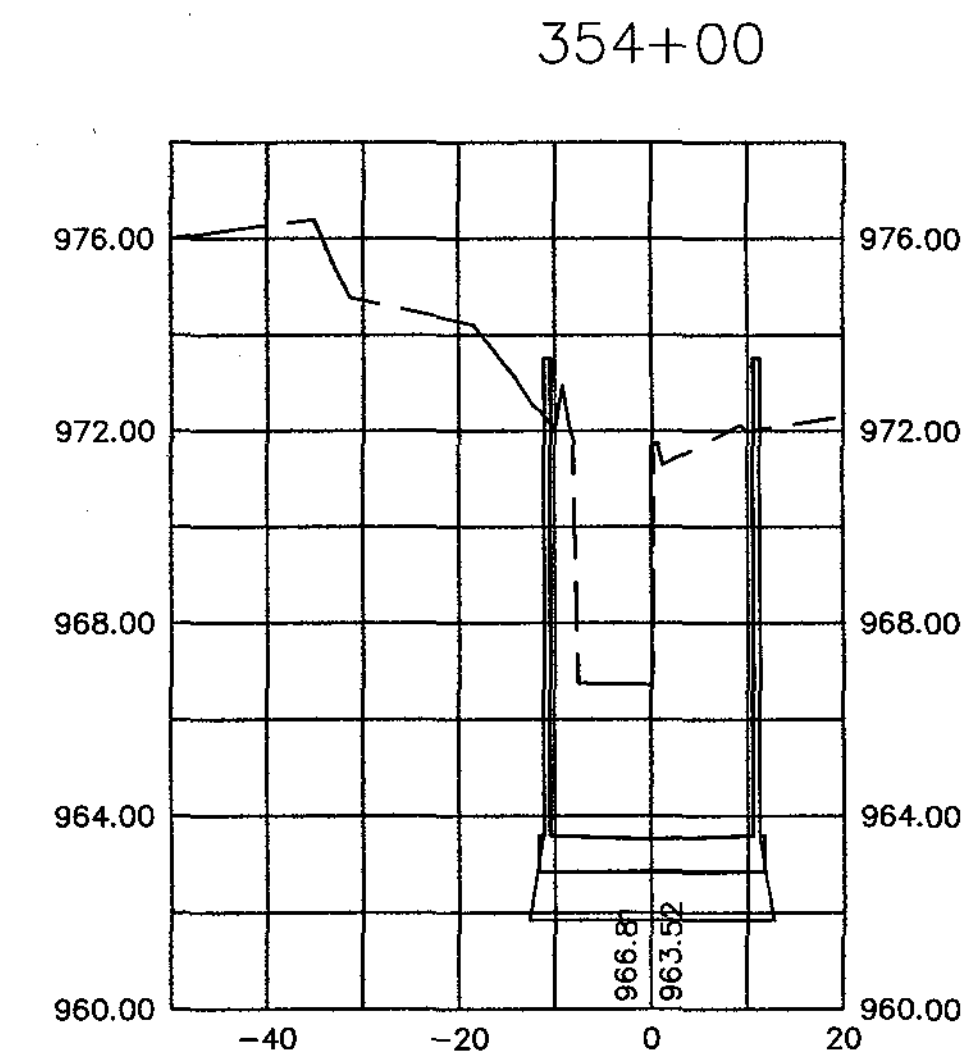
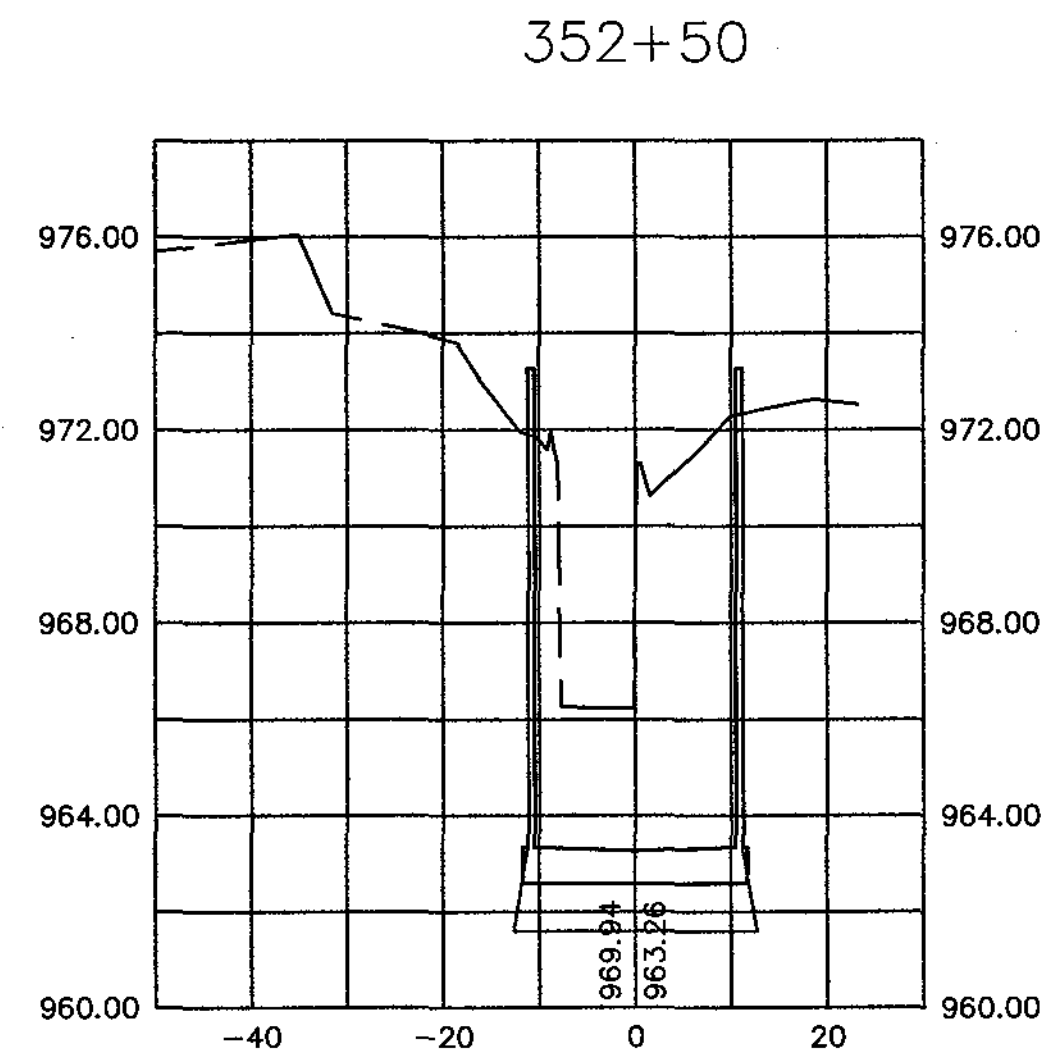
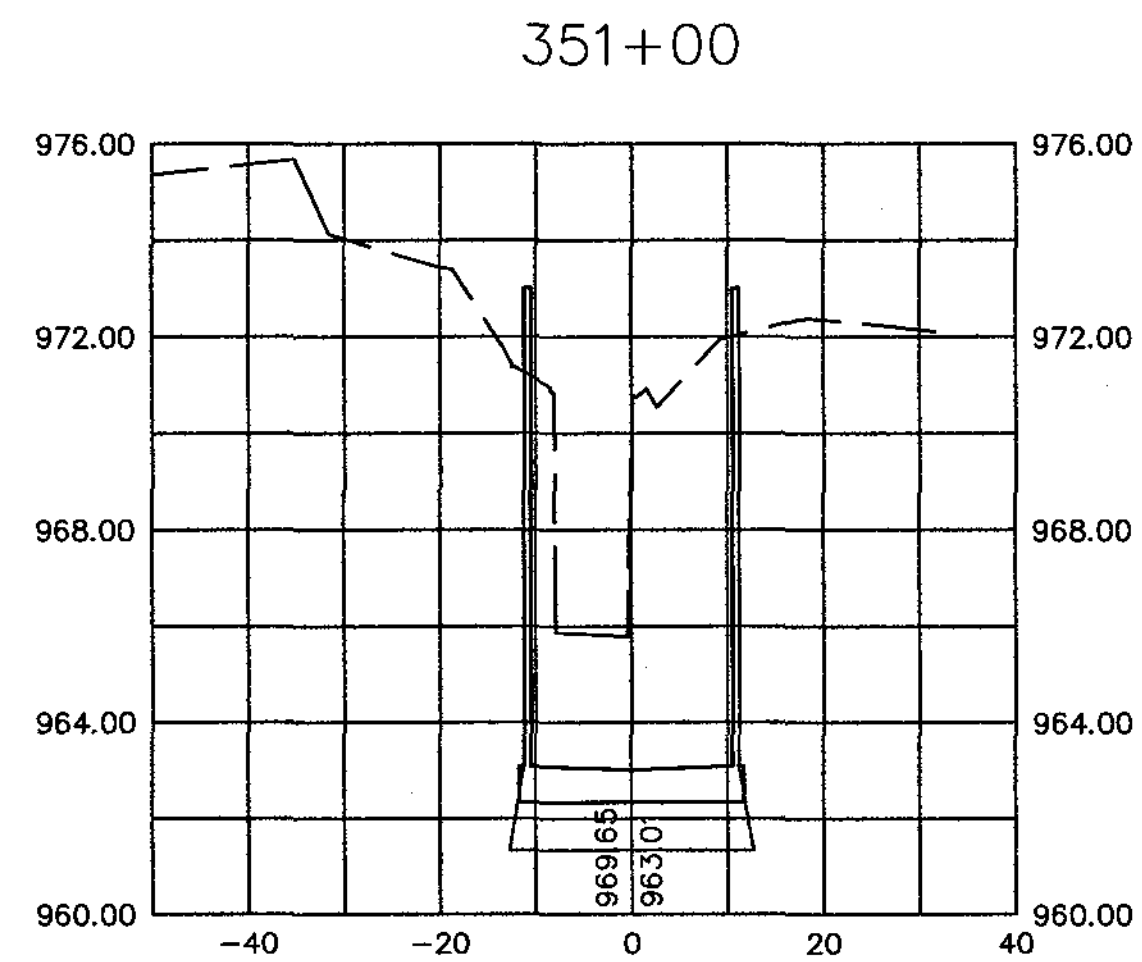
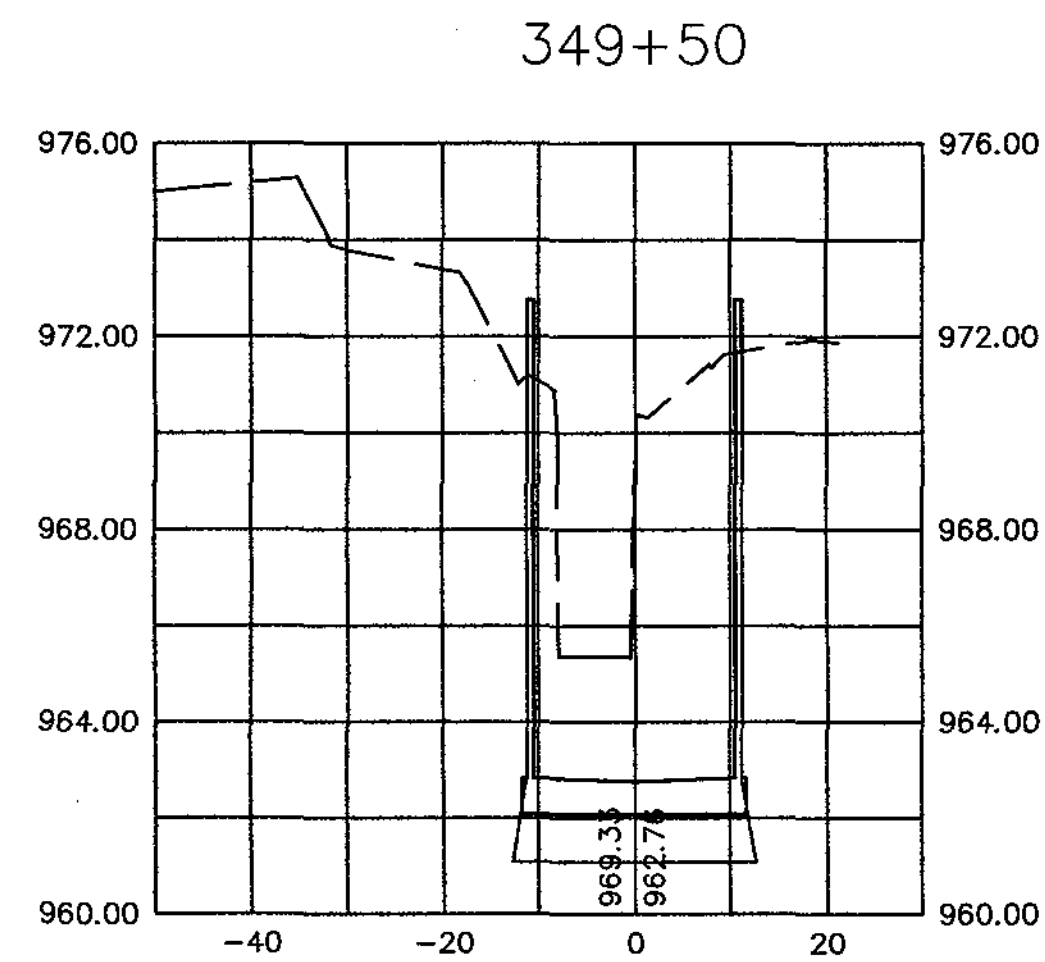


P&D P&D Consultants
 999 Town & Country Rd, 4th Floor
 Orange, CA 92868
 Phone: (714) 835-4447

CROSS SECTIONS FOR
 WEST STATE STREET CHANNEL
 SEGMENT IIIB

HORIZ. SCALE 1"=20'
 VERT. SCALE 1"=4'

SHEET 6 OF 8



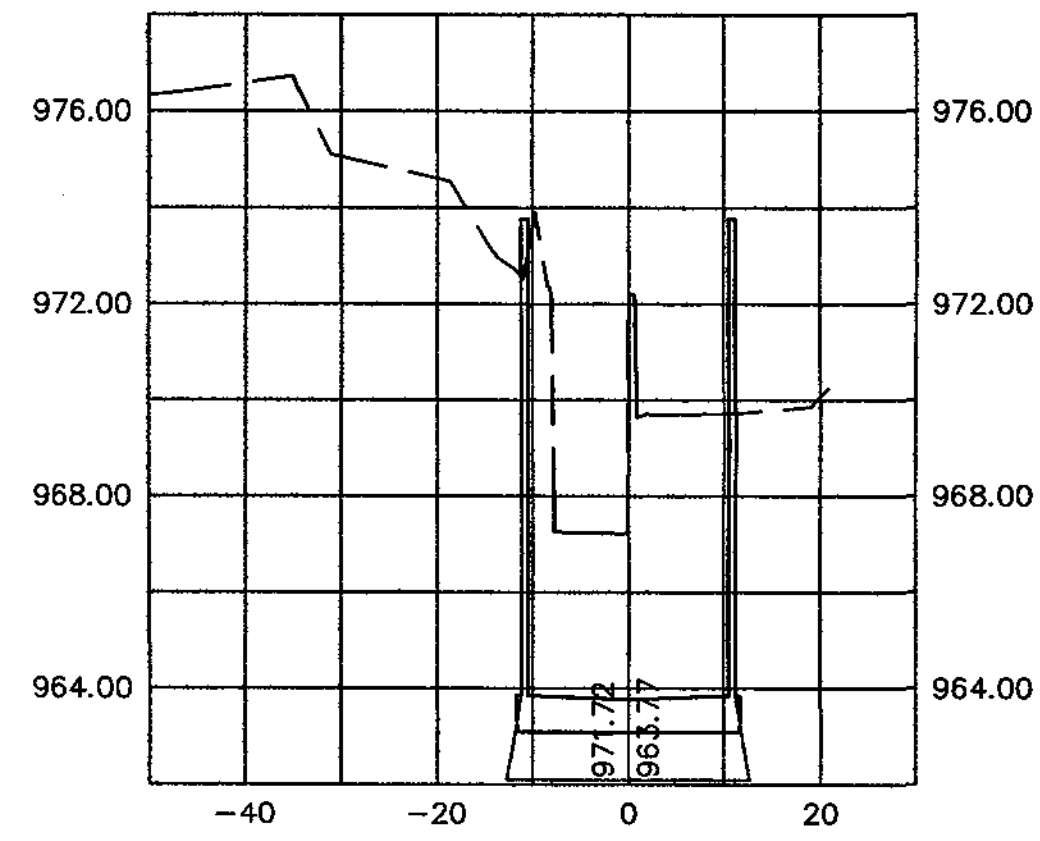
P&D P&D Consultants
 999 Town & Country Rd, 4th Floor
 Orange, CA 92868
 Phone: (714) 835-4447

CROSS SECTIONS FOR
 WEST STATE STREET CHANNEL
 SEGMENT III B

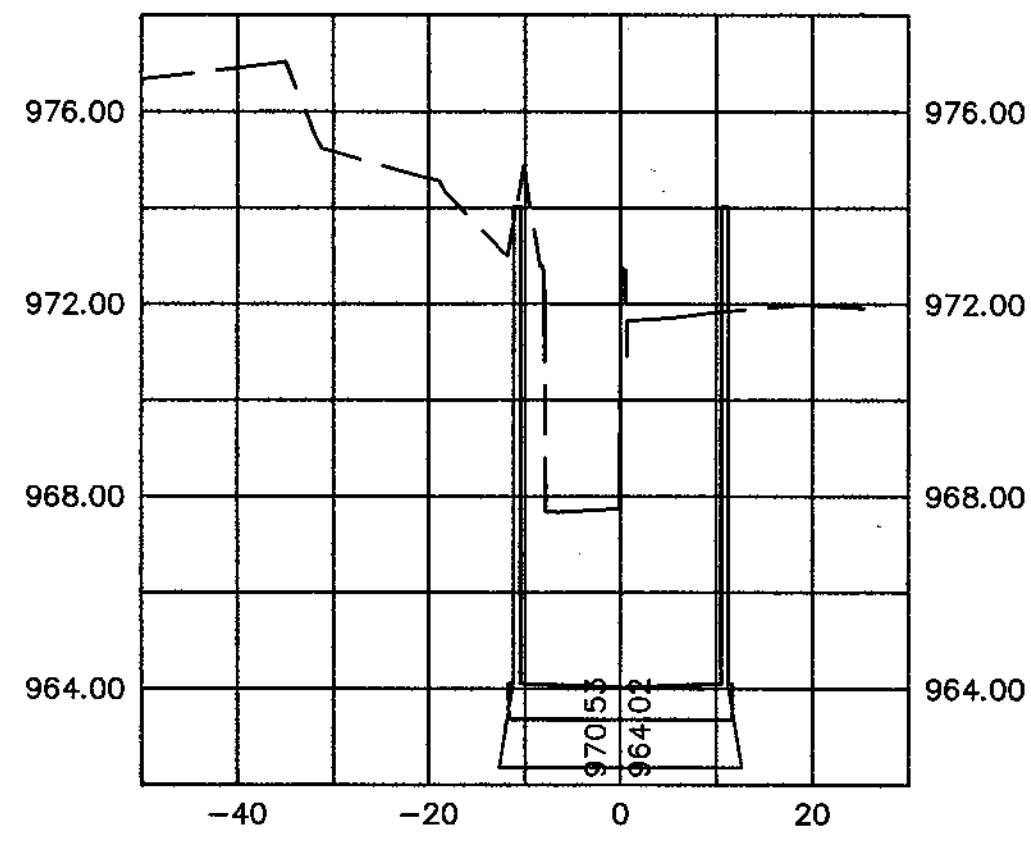
HORIZ. SCALE 1"=20'
 VERT. SCALE 1"=4'

SHEET 7 OF 8

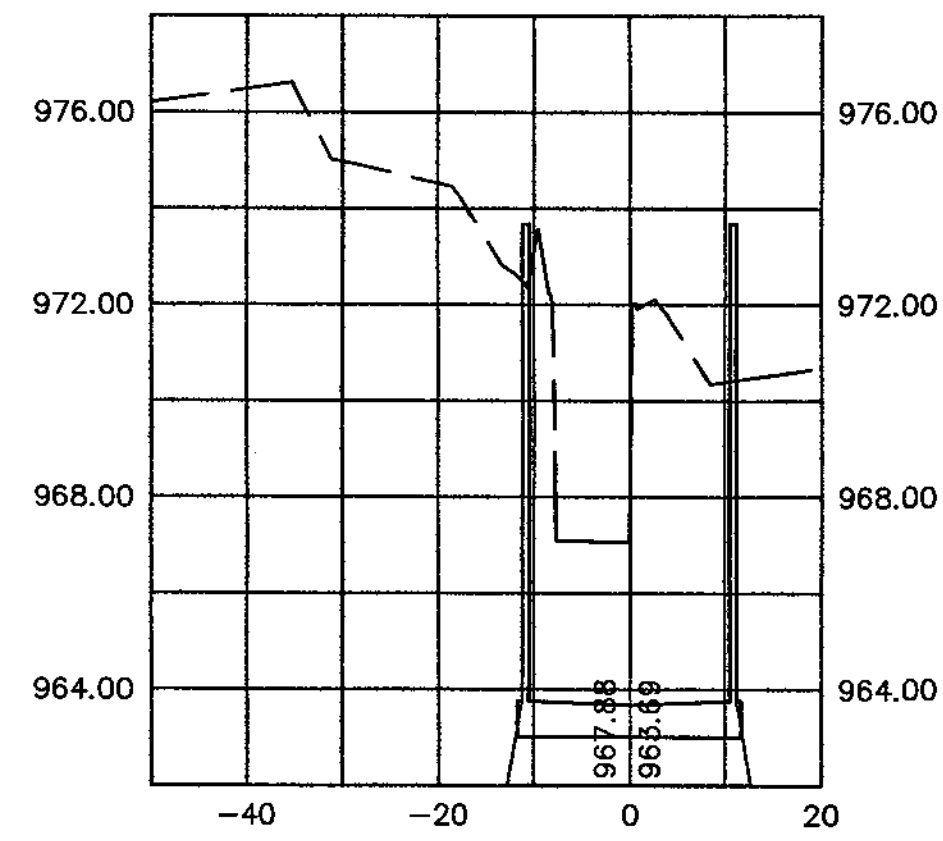
355+50



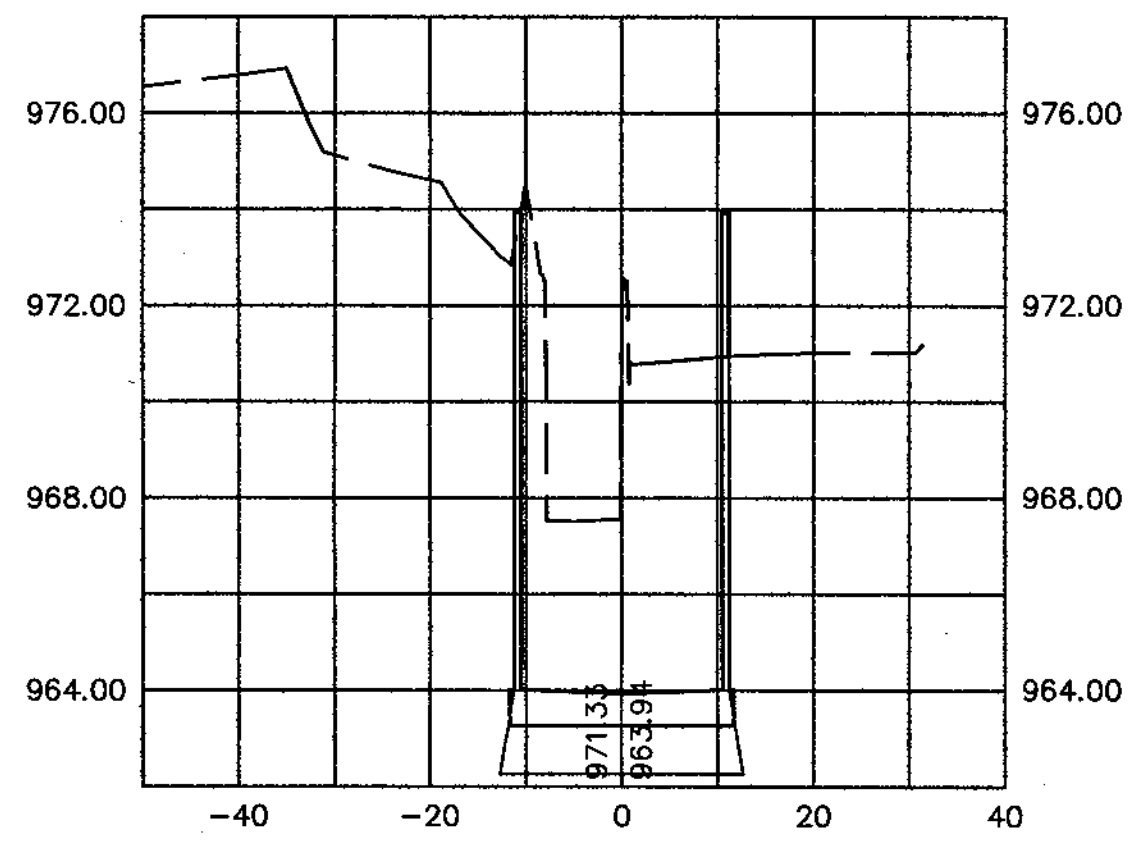
357+00



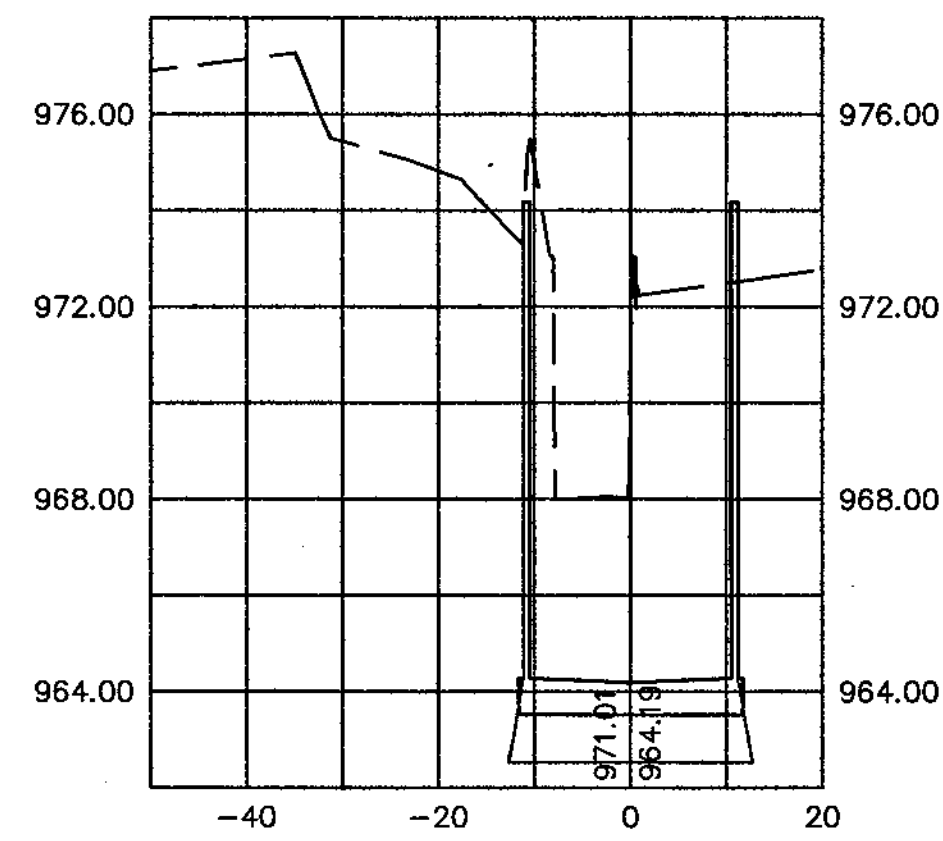
355+00



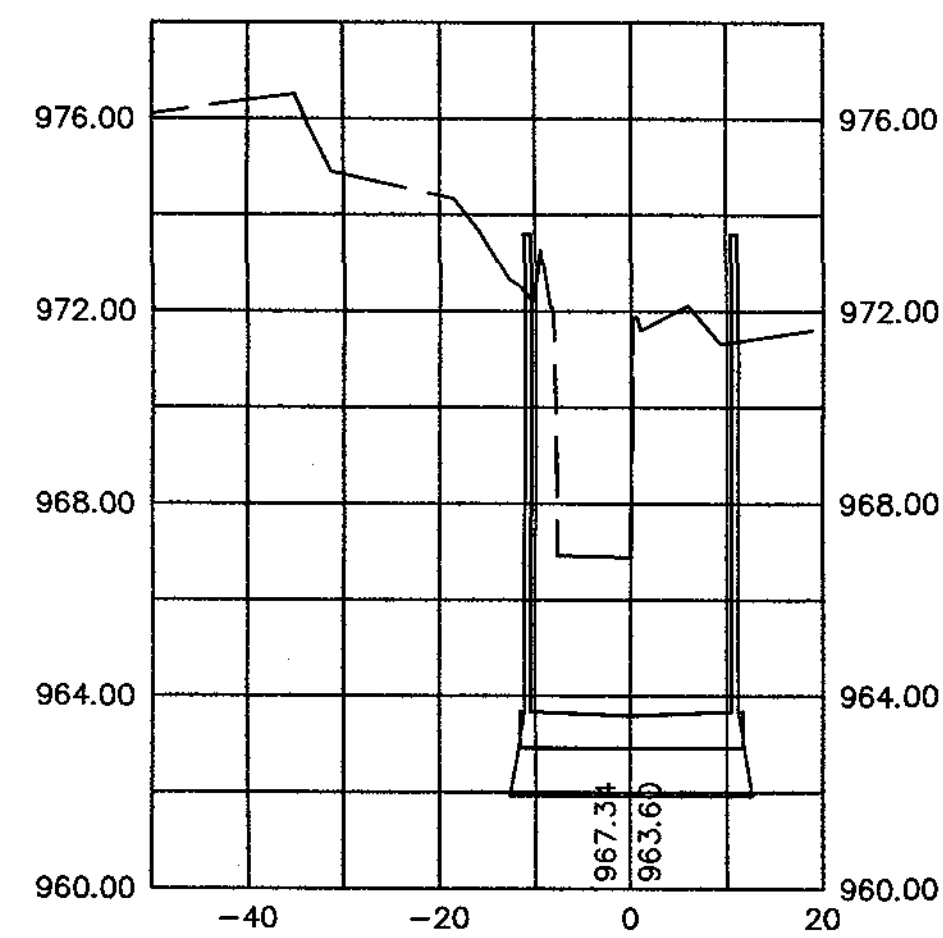
356+50



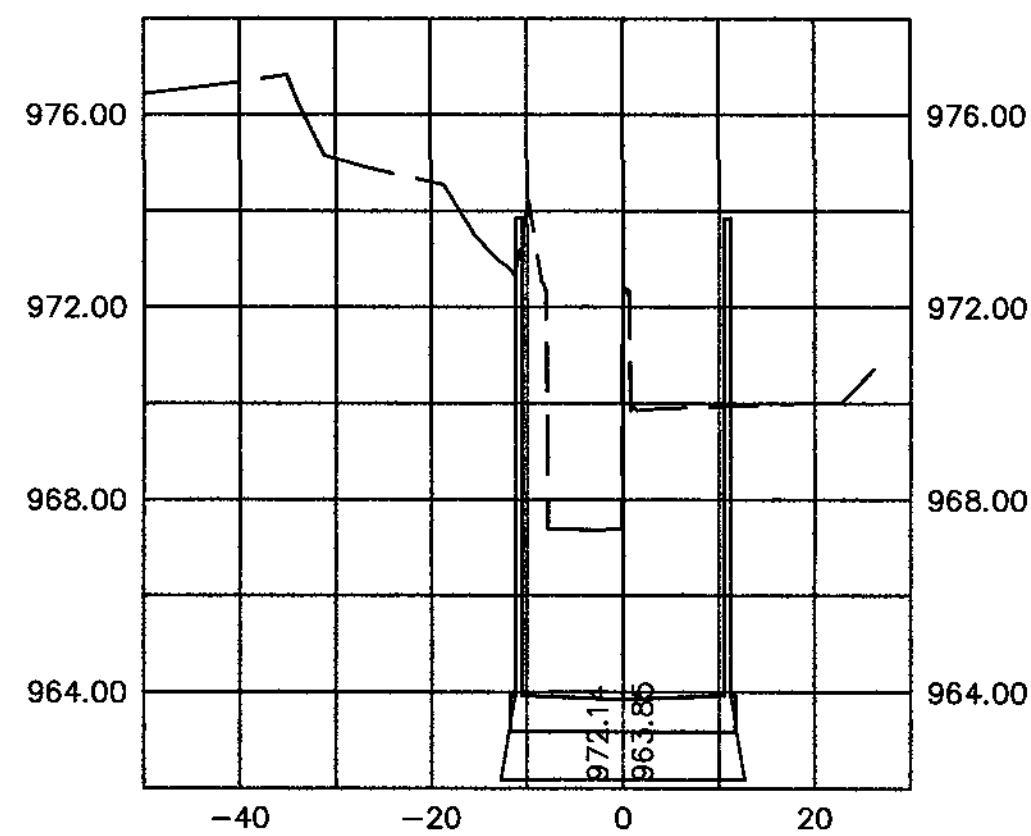
358+00



354+50



356+00



357+50

