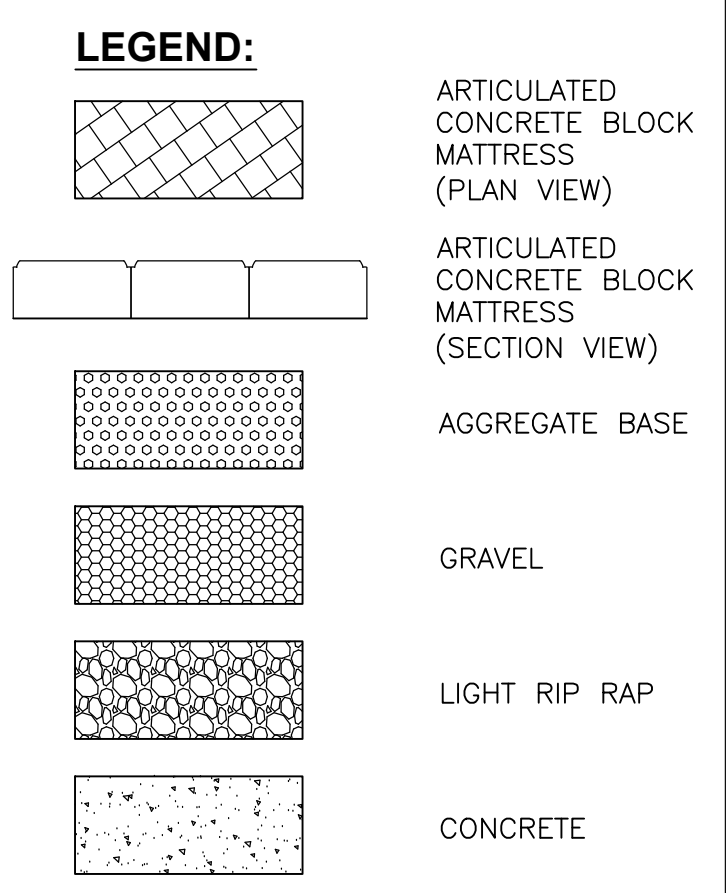
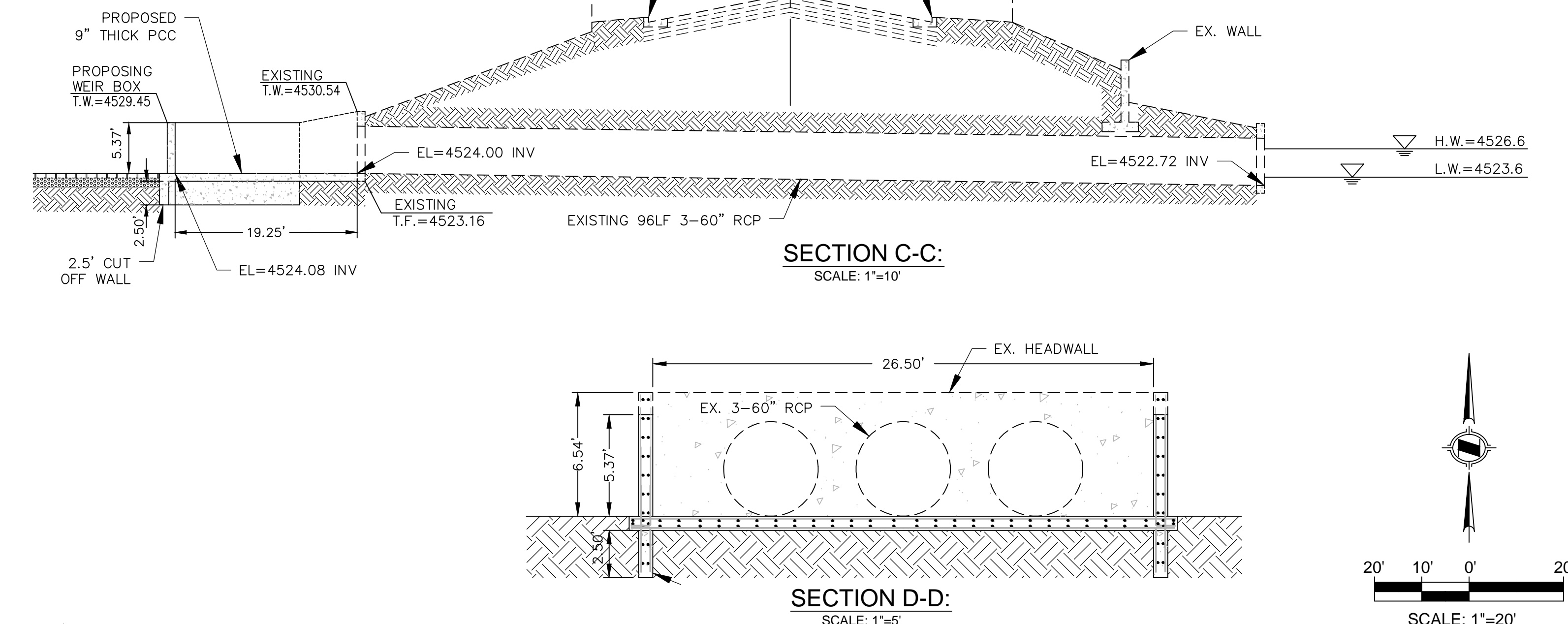
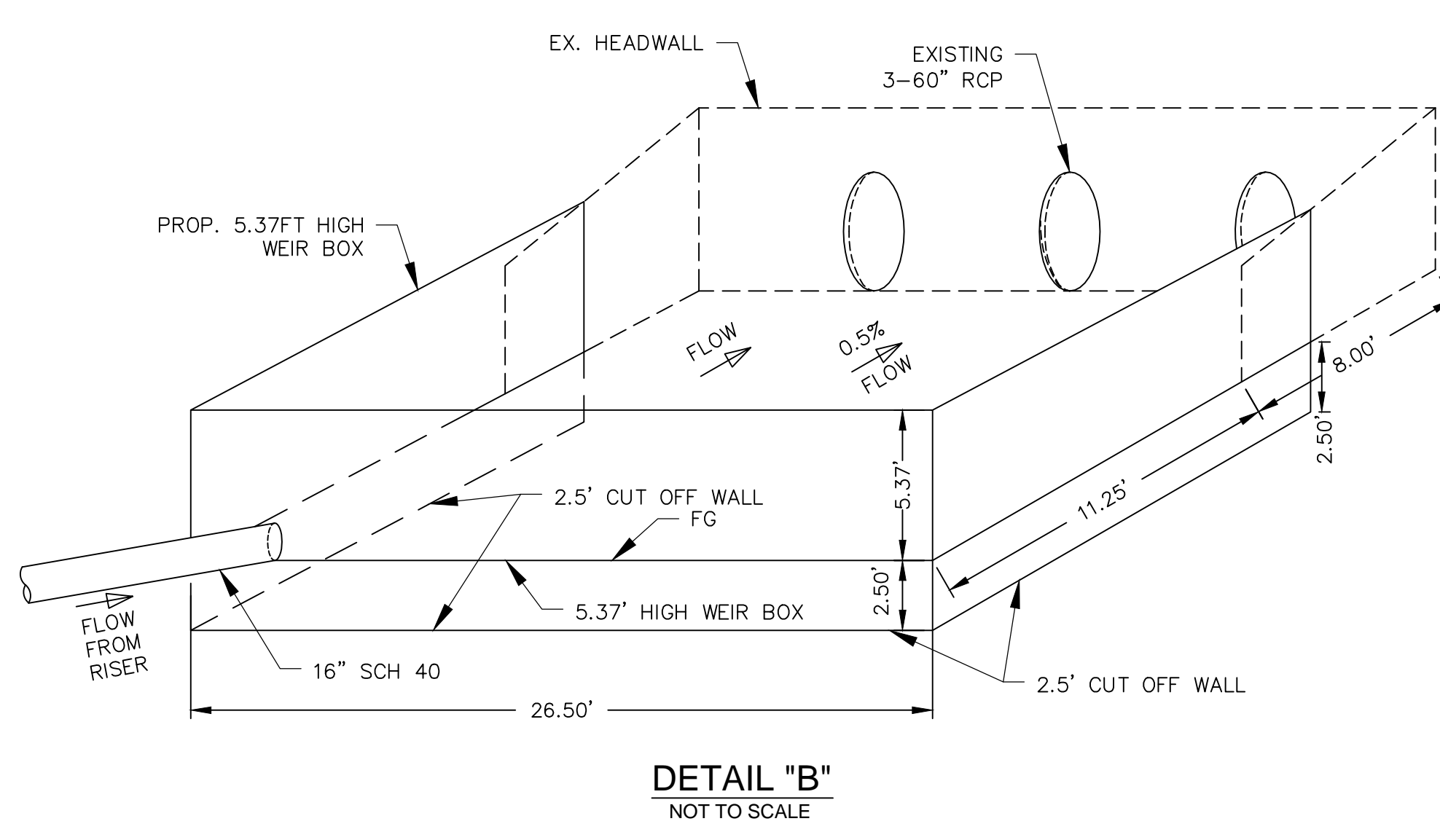


**CONSTRUCTION NOTES:**

- 30 REMOVE EXISTING SEDIMENT AND VEGETATION/TREES
- 31 REMOVE 55 LINEAR FEET OF EXISTING CHAIN LINK FENCE
- 32 CONSTRUCT REINFORCED CONCRETE RETAINING WALL TYPE 5 PER SPPWC STD. PLAN NO. 614-3 AND SPPWC STD. PLAN NO. 617-3 FOR WEEP HOLE
- 33 CONSTRUCT REMOVABLE HANDRAIL, CORE MOUNT WITH 2" IPS SLEEVE PER DETAIL 33 ON SHEET 5
- 34 CONSTRUCT 19.25' x 26.50' x 5.37' CONCRETE WEIR BOX WITH 9" THICK PCC BASE AND 2.5' CUT OFF WALL
- 35 CONSTRUCT 5FT HIGH RISER TOWER PER DETAIL 35 ON SHEET 4
- 36 CONSTRUCT 16" SCH 40 CONNECT FROM THE RISER TO THE WEIR BOX
- 37 INSTALL LIGHT RIP-RAP EMBEDDED 2 FEET BELOW GRADE
- 38 INSTALL ARTICULATED CONCRETE BLOCK MATTRESS OVER 12 INCH AGGREGATE BASE
- 39 NO GRADING WITHIN 10 FEET OF BUILDING WALL
- 40 PROTECT IN PLACE
- 41 CONSTRUCT 8" THICK GRAVEL PAVEMENT OVER NATIVE SOIL COMPACTED 90%
- 42 SAWCUT AND REMOVE EXISTING 33" HDPE STORM DRAIN LINE AT THE EXPOSING SECTION
- 49 INSTALL ARTICULATED CONCRETE BLOCK MATTRESS OVER 8 INCH AGGREGATE BASE AT THE 8' WIDE ACCESS RAMP
- 50 REMOVE AND RELOCATE 166 LINEAR FEET OF EXISTING CHAIN LINK FENCE
- 51 INSTALL SINGLE STANDARD PIPE GATE (LENGTH = 10 FEET) FOR ACCESS ROAD PER SPPWC STD. PLAN NO. 602.3

**GENERAL NOTES:**

DEWATERING SPECIFICATION AND WARNING GROUNDWATER WILL BE ENCOUNTERED



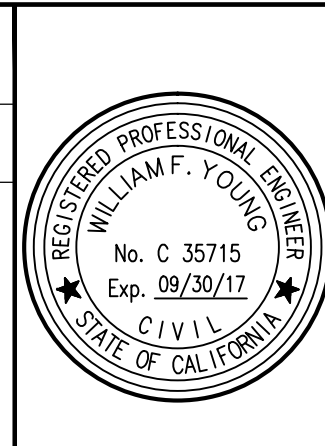
**UNDERGROUND SERVICE ALERT**  
CALL TOLL FREE  
**1-800-227-2600**  
TWO WORKING DAYS BEFORE YOU DIG

**BASIS OF BEARING**  
THE CENTERLINE OF LAKE DRIVE TAKEN AS NORTH 38°12'29" EAST (DISTANCE OF 452.25' BETWEEN SURVEY 2 PI AND EDGEMORE DRIVE INTERSECTION) AS SHOWN ON RECORD OF SURVEY ON FILE IN BOOK 40, PAGE 88, OFFICIAL RECORDS OF SAN BERNARDINO COUNTY.  
**BENCH MARK**  
FOUND CHISELED BOX ON THE SOUTH EDGE OF THE SIDEWALK AT THE NORTH WESTERLY CORNER OF THE LAKE GREGORY SPLINWAY BRIDGE (ENTERING HUSTON CREEK), 15 FEET NORTH OF THE CENTERLINE STRIPE OF LAKE DRIVE, PER SAN BERNARDINO COUNTY SURVEYOR FIELD BOOK 4084, PAGE 1308 (ELEVATION: 4540.84 (NGVD 29))

NO.	DATE	REVISIONS	APPROVED	DATE
7				
6				
5				
4				
3	6/21/16	REVISED SECTION DETAILS		
2	6/09/16	RELOCATE REINFORCED CONCRETE RETAINING WALL		
1	5/18/16	UP-SIZE THE LOW FLOW PIPE		

SUBMITTED BY: *William F. Young* DATE: 03-03-16  
WILLIAM F. YOUNG, LICENSE NO. 38715  
COUNTY OF SAN BERNARDINO  
SPECIAL DISTRICT DEPARTMENT

REVIEWED BY: DATE: DATE: DATE: DATE:  
APPROVED BY: DATE: DATE: DATE: DATE:  
ACCEPTED BY: DATE: DATE: DATE: DATE:



PREPARED BY: 1561 E. ORANGETHORPE AVE. SUITE 240 FULLERTON, CA 92831 TEL (714) 526-7500 www.cwecorp.com

**CWE**

DRAWN BY: M. N. DATE: 02-25-16  
DESIGNED BY: M. N. DATE: 02-25-16  
CHECKED BY: W. Y. DATE: 02-25-16

**COUNTY OF SAN BERNARDINO  
SPECIAL DISTRICT DEPARTMENT**

**LAKE GREGORY SEDIMENT MANAGEMENT PROJECT  
WEST DEBRIS BASIN  
GRADING PLAN**

PROJECT NO. 14116  
SHEET 2 OF 8

